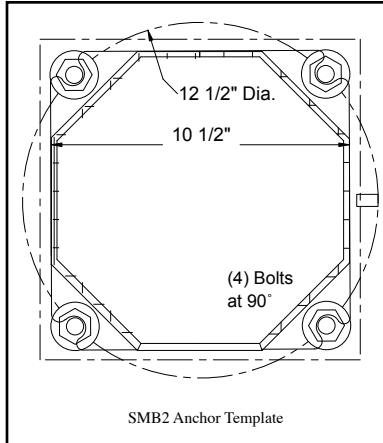
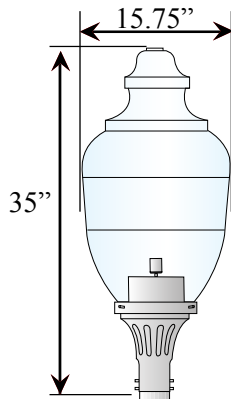


# SHD1-AC1026CL Type V / SMB2-\*\*

(H.I.D. Light Fixture with Surface Mount Base w/ 3" O/D Smooth Post and Access Door)

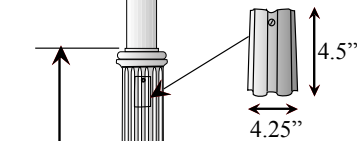
**Poles available in the following heights:**  
8 ft. - 10 ft. - 12 ft.

**How to Order:** *(example)*  
SHD1-AC1026CL - Type V / SMB2-\*\*-BLK  
Fitter - Globe / Post - Height - Finish  
*(\* indicates pole height)*



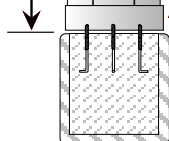
Pole Height Available in 8 ft., 10 ft., and 12 ft.

3" O/D Smooth Post



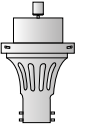
48"

11.5" Square Base



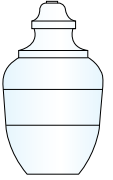
## SHD1 Fitter

- Shown with Medium Socket (Mogul Socket available with certain voltages)
- Ballast can easily be changed in field by loosening two screws
- Made of Cast Aluminum



## AC1026CL Type V Globe

- Textured Prismatic Prismatic Globe
- (see Commercial Lighting Section for additional Globe and Fitter specifications)*



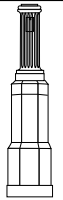
## 3" Smooth Post

- 3" O/D Smooth Post
- Made of Extruded Aluminum
- .065 Wall Thickness



## SMB2 Surface Mount Base

- Decorative base for a 3" O/D round post
- Made of Cast Aluminum

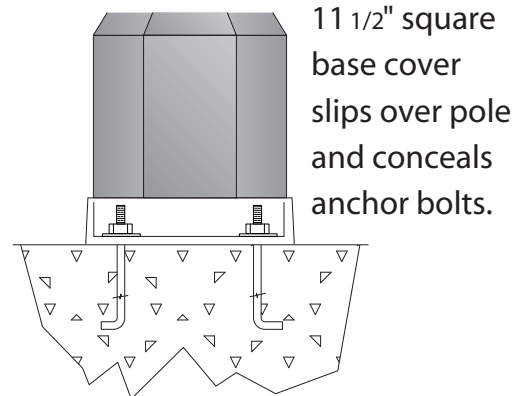


## Finish

- The fixture will be finished with a premium quality thermoset polyester powdercoat for a durable finish.

## Installation Instructions for Surface Mount Posts:

*(\*Anchor bolt set not included with SMB2 Post)*



11 1/2" square base cover slips over pole and conceals anchor bolts.