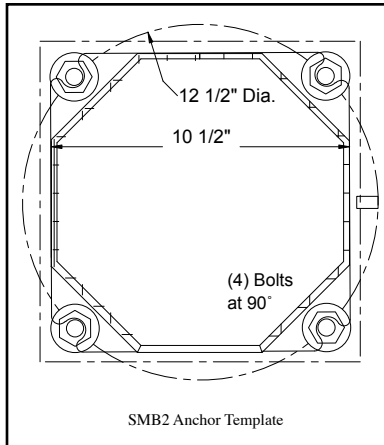
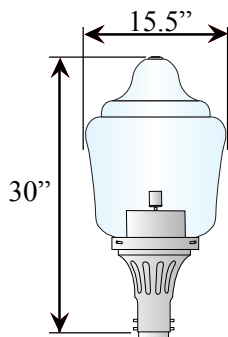


SHD1-PC2020CL / SMB2-**-**

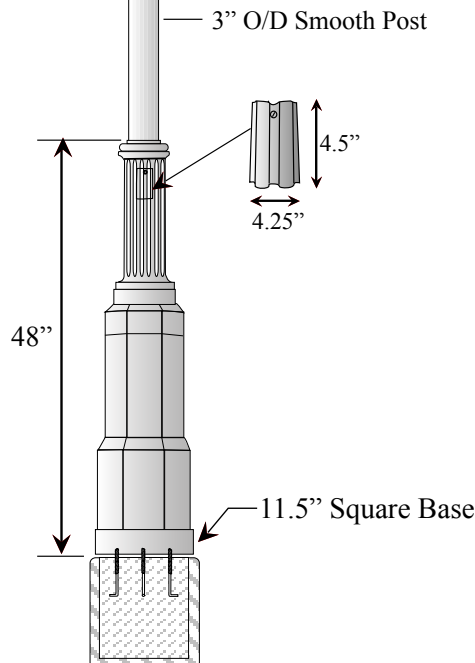
(H.I.D. Light Fixture with Surface Mount Base w/ 3" O/D Smooth Post and Access Door)

Poles available in the following heights:
8 ft. - 10 ft. - 12 ft.

How to Order: (example)
SHD1-PC2020CL / SMB2-**-BLK
Fitter - Globe / Post - Height - Finish
(* indicates pole height)

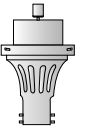


Pole Height Available in 8 ft., 10 ft., and 12 ft.



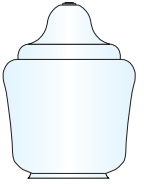
SHD1 Fitter

- Shown with Medium Socket (Mogul Socket available with certain voltages)
- Ballast can easily be changed in field by loosening two screws
- Made of Cast Aluminum



PC2020CL Globe

- Textured Polycarbonate Acorn Globe
- (see Commercial Lighting Section for additional Globe and Fitter specifications)



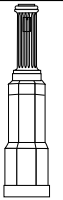
3" Smooth Post

- 3" O/D Smooth Post
- Made of Extruded Aluminum
- .065 Wall Thickness



SMB2 Surface Mount Base

- Decorative base for a 3" O/D round post
- Made of Cast Aluminum



Finish

- The fixture will be finished with a premium quality thermoset polyester powdercoat for a durable finish.

Installation Instructions for Surface Mount Posts:

(*Anchor bolt set not included with SMB2 Post)

