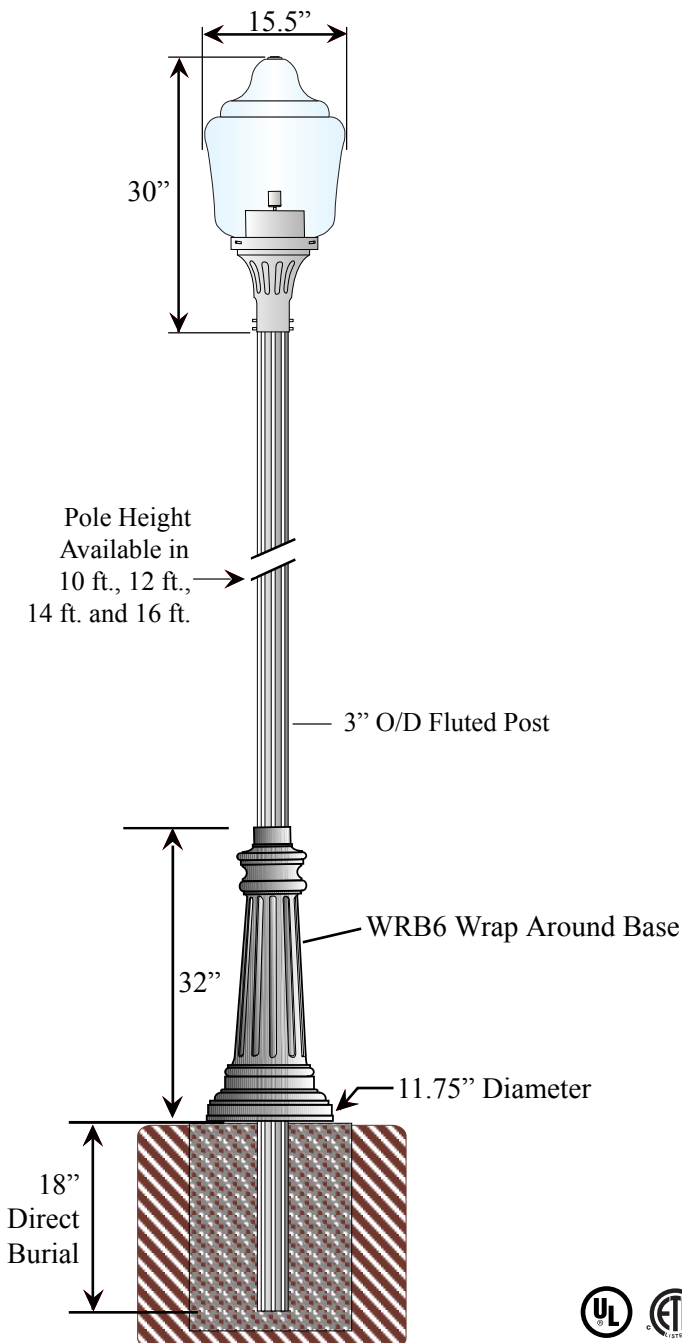


SHD1-PC2020CL / MP-4** / WRB6

(H.I.D. Light Fixture with
3" O/D Fluted Post and
Decorative Base)

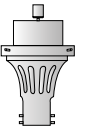
Poles available in the following heights:
10 ft. - 12 ft. - 14 ft. - 16ft.

How to Order: *(example)*
SHD1-PC2020CL / MP-4-** / WRB6-BLK
Fitter - Globe / Post - Height / Base-Finish
(indicates pole height)*



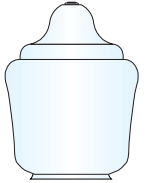
SHD1 Fitter

- Shown with Medium Socket (Mogul Socket available with certain voltages)
- Ballast can easily be changed in field by loosening two screws
- Made of Cast Aluminum



PC2020CL Globe

- Textured Polycarbonate Acorn Globe
- (see Commercial Lighting Section for additional Globe and Fitter specifications)*



MP-4** Fluted Post

- 3" O/D Fluted Post
- Made of Extruded Aluminum
- .095 Wall Thickness
- Direct Burial



WRB6 - Decorative Wraparound Base

- Optional decorative base that fits over a 3" O/D round post
- Made of Cast Aluminum



Finish

- The fixture will be finished with a premium quality thermoset polyester powdercoat for a durable finish.

Installation Instructions for Direct Burial Posts:

