

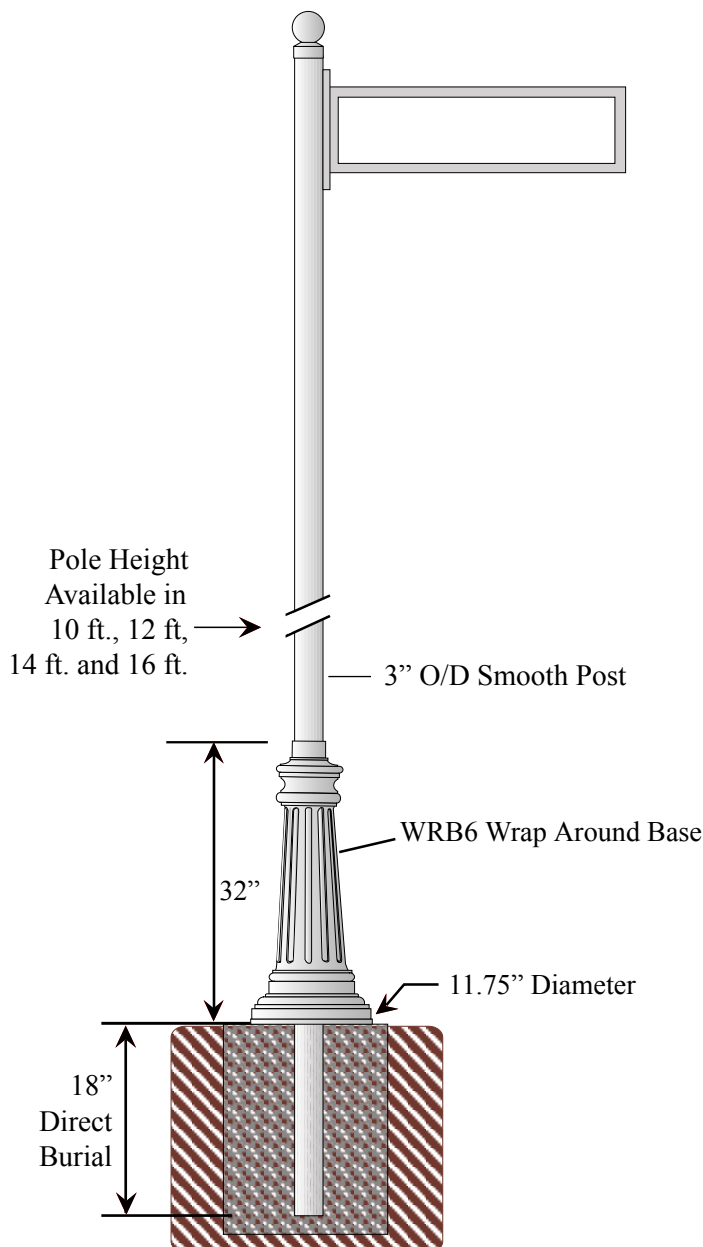
BA-4** / WRB6 / TSB-203 / TSB2

(3" O/D Smooth Breakway Pole
with Decorative Base and
Street Sign Mount)

Poles available in the following heights:
10 ft. - 12 ft. - 14 ft. - 16ft.

How to Order: *(example)*
BA-4** / WRB6 / TSB-203 / TSB2-BLK
Post / Base / Street Sign Mount / Post Topper-Color
(indicates pole height)*

U.S. Department of Transportation
Federal Highway Administration
Breakaway Certified Post -



BA-4** Breakaway Smooth Pole

- 3" O/D Smooth Post
- Made of Extruded Aluminum
- .065 Wall Thickness
- Direct Burial



WRB6 - Decorative Wraparound Base

- Optional decorative base that fits over a 3" O/D round post
- Made of Cast Aluminum



TSB-203 - Single Street Sign Mount

- Mounts to any 3" O/D pole
- Can be ordered to hold any size sign blade
- Made of Extruded Aluminum
- (See Traffic Pole Accessories Section for product specifications)*



TSB2 - Cannon Ball Post Topper

- Decorative Post Topper that fits 3" O/D round post.
- Made of Cast Aluminum.
- 3 3/4" wide x 4 3/8" tall



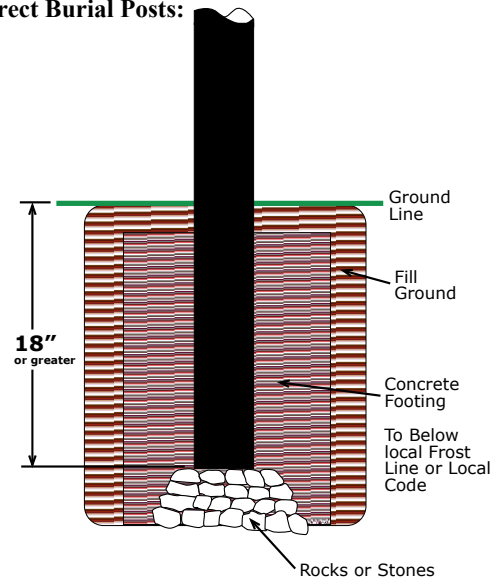
Additional Post
Topper Options:



Finish

- The fixture will be finished with a premium quality thermoset polyester powdercoat for a durable finish.

Installation Instructions for Direct Burial Posts:



**SPECIAL
LITE**
PRODUCTS COMPANY, INC.

1634 Latrobe-Derry Road • Loyallhanna, PA 15661 • Phone: (724) 537-4711 • Fax: (724) 537-9313

www.specialliteproducts.com • customer_service@specialliteproducts.com