

# BA-4\*\* / WRB6 / TSCR / TSB2

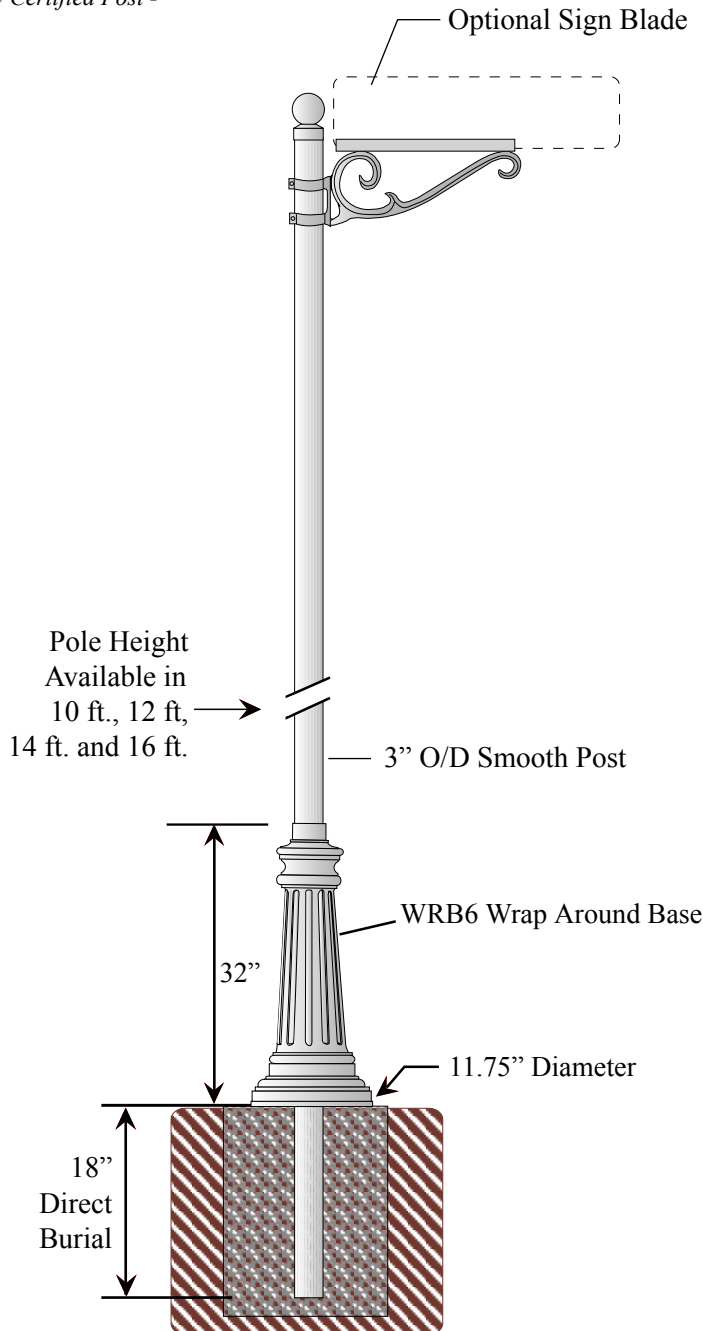
(3" O/D Smooth Breakway Pole with Decorative Base and Street Sign Mount)

**Poles available in the following heights:**  
10 ft. - 12 ft. - 14 ft. - 16ft.

**How to Order:** (example)  
BA-4\*\* / WRB6 / TSCR / TSB2-BLK  
Post / Base / Street Sign Mount / Post Topper-Color  
(\* indicates pole height)



Breakaway Certified Post -



## BA-4\*\* Breakaway Smooth Pole

- 3" O/D Smooth Post
- Made of Extruded Aluminum
- .065 Wall Thickness
- Direct Burial



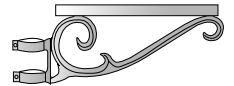
## WRB6 - Decorative Wraparound Base

- Optional decorative base that fits over a 3" O/D round post
- Made of Cast Aluminum



## TSCR - Single Street Sign Mount

- Clamps around any 3" O/D pole
  - Can be ordered to hold any size sign blade
  - Made of Extruded Aluminum
- (See Traffic Pole Accessories Section for product specifications)



## TSB2 - Cannon Ball Post Topper

- Decorative Post Topper that fits 3" O/D round post.
- Made of Cast Aluminum.
- 3 3/4" wide x 4 3/8" tall



Additional Post Topper Options:



## Finish

- The fixture will be finished with a premium quality thermoset polyester powdercoat for a durable finish.

## Installation Instructions for Direct Burial Posts:

