

BC-4** / WRB6 / TSCR / TSB2

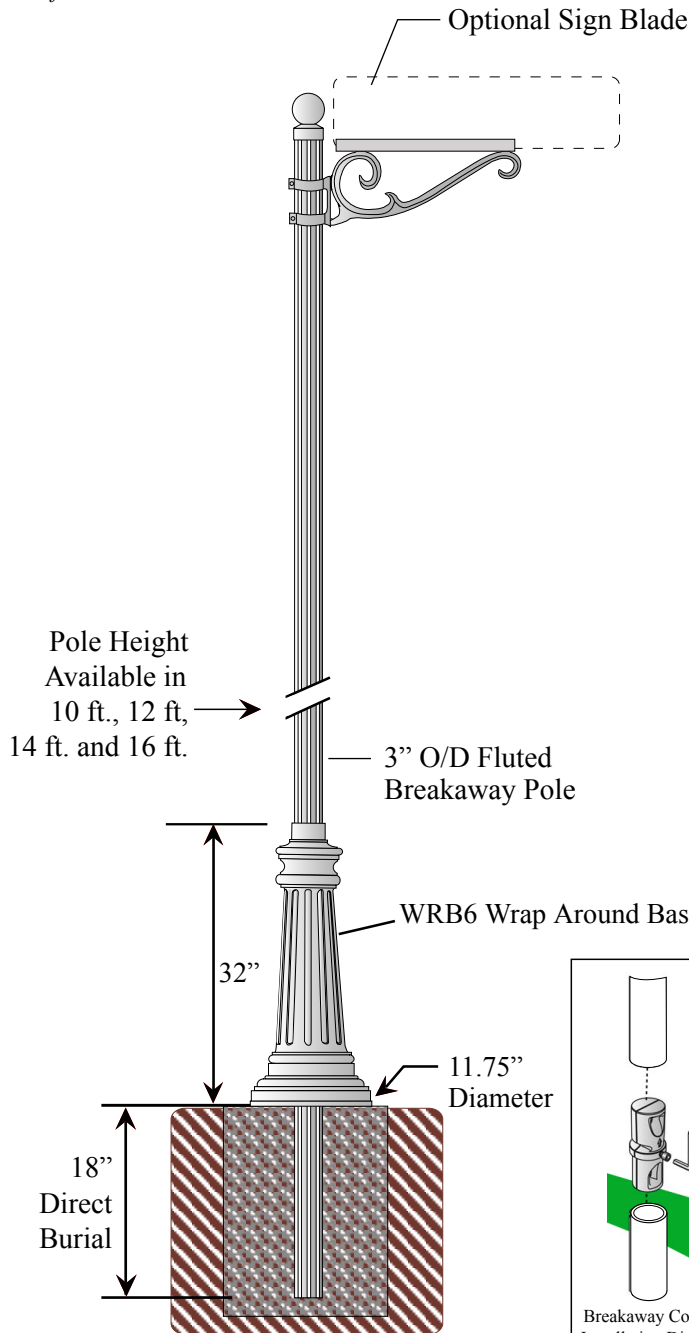
(3" O/D Fluted Breakaway Pole with Decorative Base and Street Sign Mount)

Poles available in the following heights:
10 ft. - 12 ft. - 14 ft. - 16ft.

How to Order: (example)
BC-4** / WRB6 / TSCR / TSB2-BLK
Pole / Base / Street Sign Mount / Post Topper-Color
(* indicates pole height)



Breakaway Certified Pole -



BC-4** Fluted Breakaway Pole

- 3" O/D Fluted Breakaway Pole
- Made of Extruded Aluminum
- .095 Wall Thickness
- Direct Burial



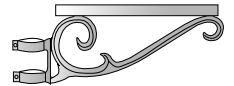
WRB6 - Decorative Wraparound Base

- Optional decorative base that fits over a 3" O/D round post
- Made of Cast Aluminum



TSCR - Single Street Sign Mount

- Clamps around any 3" O/D pole
 - Can be ordered to hold any size sign blade
 - Made of Extruded Aluminum
- (See Traffic Pole Accessories Section for product specifications)

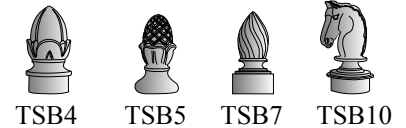


TSB2 - Cannon Ball Post Topper

- Decorative Post Topper that fits 3" O/D round post.
- Made of Cast Aluminum.
- 3 3/4" wide x 4 3/8" tall



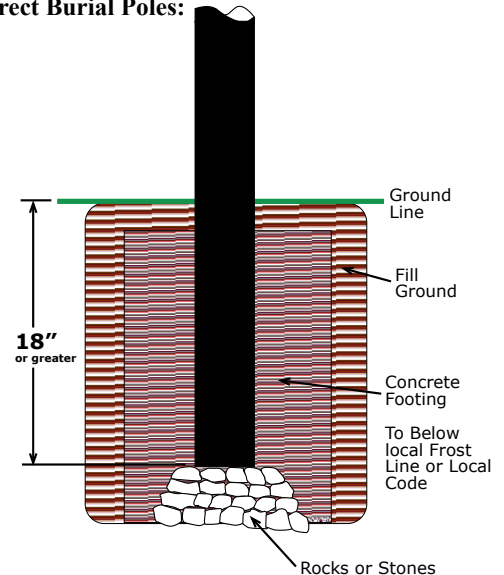
Additional Post Topper Options:



Finish

- The fixture will be finished with a premium quality thermoset polyester powdercoat for a durable finish.

Installation Instructions for Direct Burial Poles:



1634 Latrobe-Derry Road • Loyahanna, PA 15661 • Phone: (724) 537-4711 • Fax: (724) 537-9313

www.specialliteproducts.com • customer_service@specialliteproducts.com