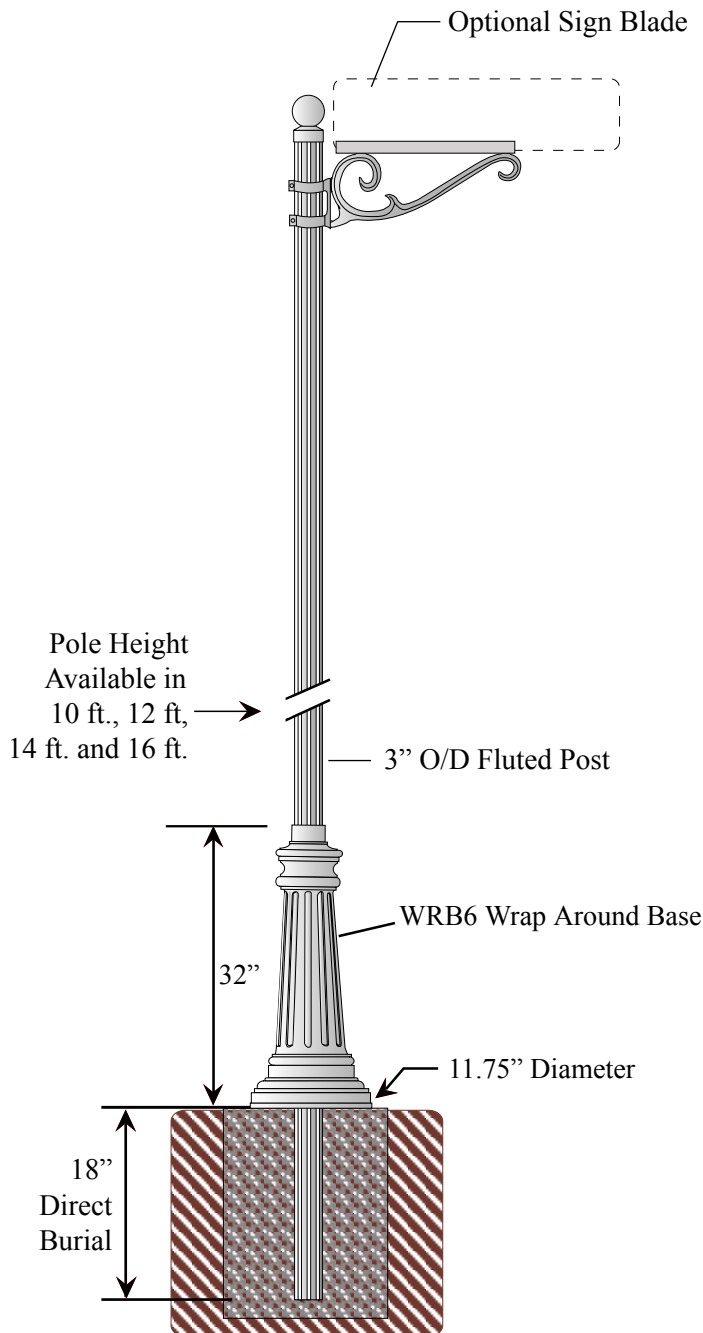


MP-4** / WRB6 / TSCR / TSB2

(3" O/D Fluted Pole with Decorative Base and Street Sign Mount)

Poles available in the following heights:
10 ft. - 12 ft. - 14 ft. - 16ft.

How to Order: (example)
MP-4** / WRB6 / TSCR / TSB2-BLK
Post / Base / Street Sign Mount / Post Topper-Color
(* indicates pole height)



MP-4** Fluted Post

- 3" O/D Fluted Post
- Made of Extruded Aluminum
- .095 Wall Thickness
- Direct Burial



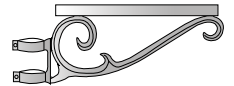
WRB6 - Decorative Wraparound Base

- Optional decorative base that fits over a 3" O/D round post
- Made of Cast Aluminum



TSCR - Single Street Sign Mount

- Clamps around any 3" O/D pole
 - Can be ordered to hold any size sign blade
 - Made of Extruded Aluminum
- (See Traffic Pole Accessories Section for product specifications)



TSB2 - Cannon Ball Post Topper

- Decorative Post Topper that fits 3" O/D round post.
- Made of Cast Aluminum.
- 3 3/4" wide x 4 3/8" tall



Additional Post Topper Options:



Finish

- The fixture will be finished with a premium quality thermoset polyester powdercoat for a durable finish.

Installation Instructions for Direct Burial Posts:

