

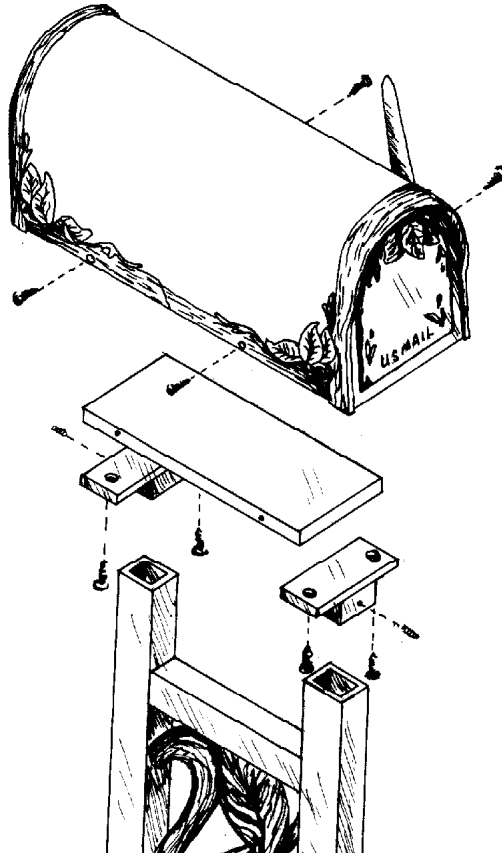
Floral Post 450

This stately support is crafted of durable cast aluminum and is available in nine finishes.

10 1/2" deep

58" high

3/4" wide



INSTALLING YOUR MAILBOX WITH THE FLORAL POST:

Post includes: (2) brackets, (4) 3/4" screws , (2) 10" extrusions

Not included: 3/4" x 7 1/2" x 16" mounting board

1. Secure (2) 10" round extrusion to bottom of post legs using threaded collar
2. U.S. Postal Service requires approximately 40" from ground to mailbox bottom. Secure post assembly in ground.
3. Set brackets in position on post, set mounting board on brackets. With a pencil, make marks through the screw holes for precise bracket location. Remove mounting board and brackets from post and assemble with (4) 3/4" screws provided.
4. Place mounting board assembly onto post and secure with set screws.
5. Place mailbox on post assembly. Position such that mounting board does not interfere with door operation.
6. Secure mailbox to board using screws provided with mailbox.