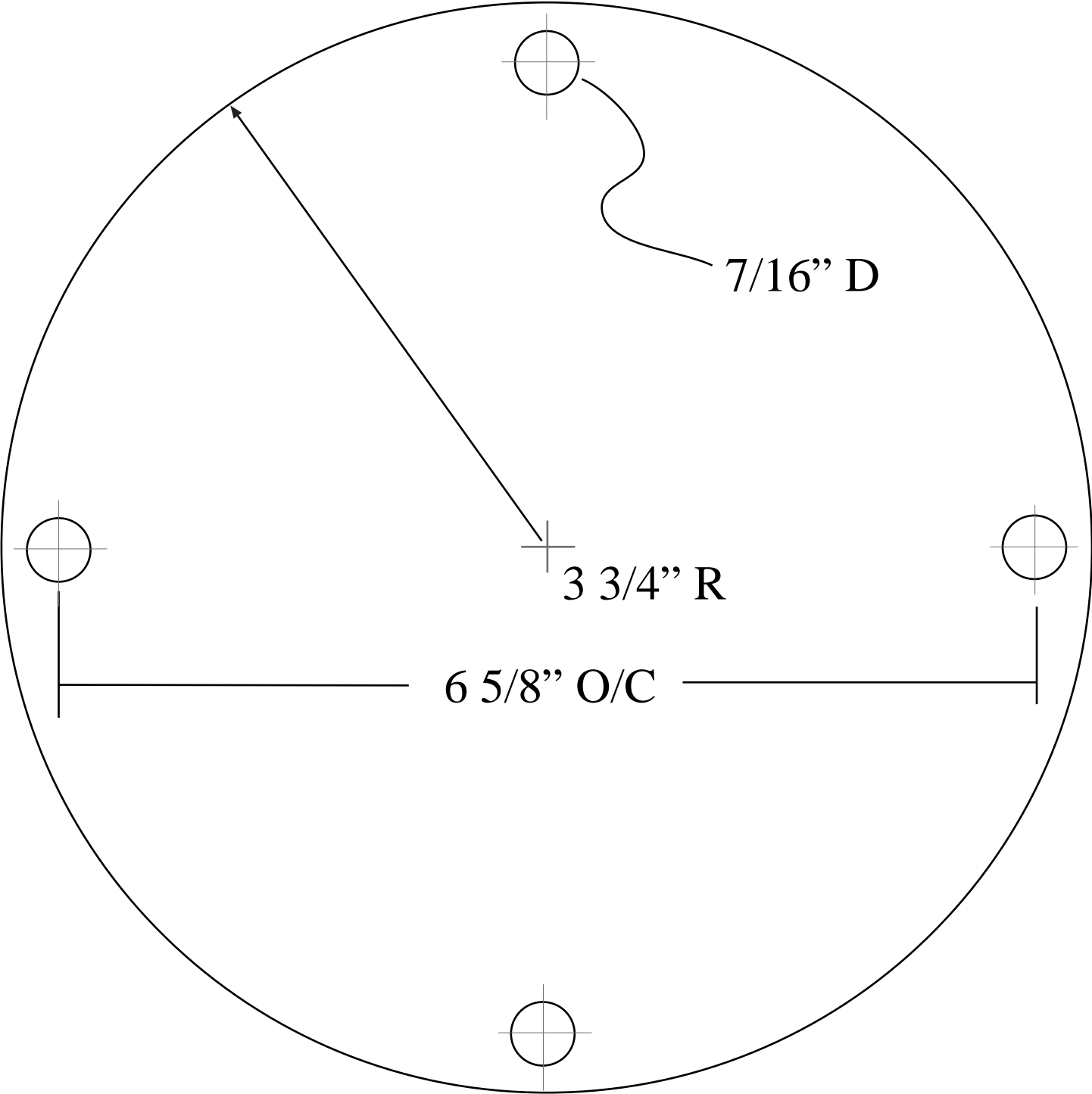
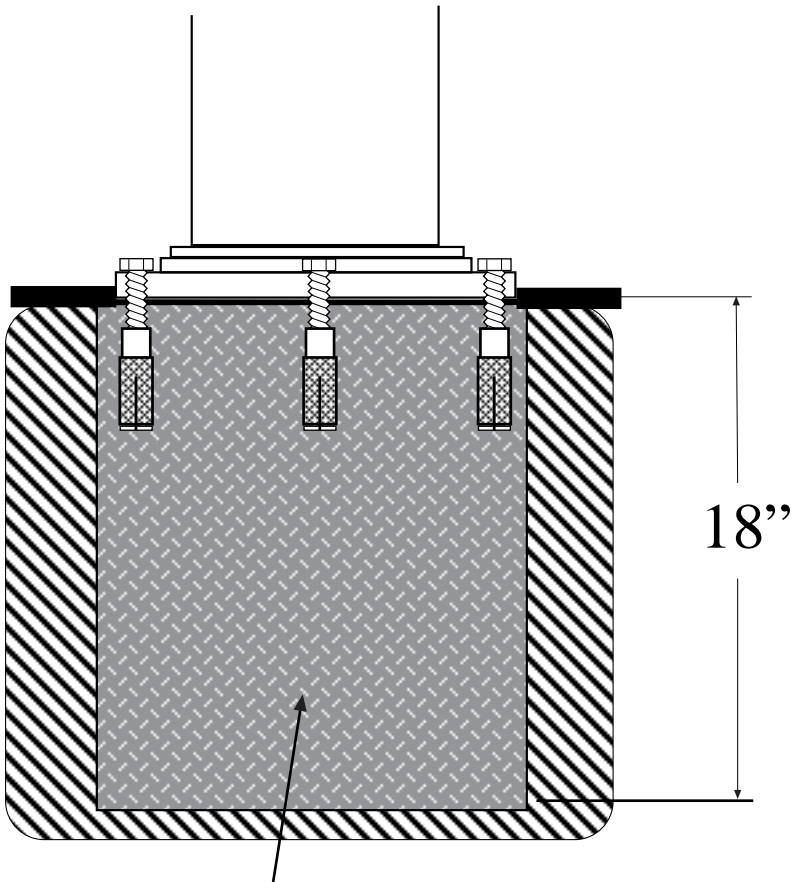


SPK 600 Template

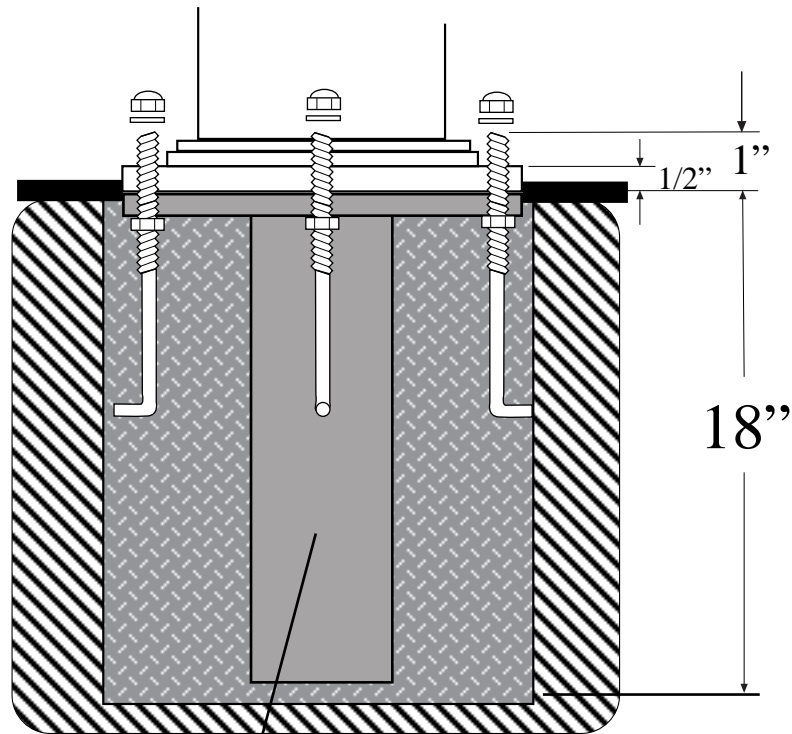


Template Full scale 1:1

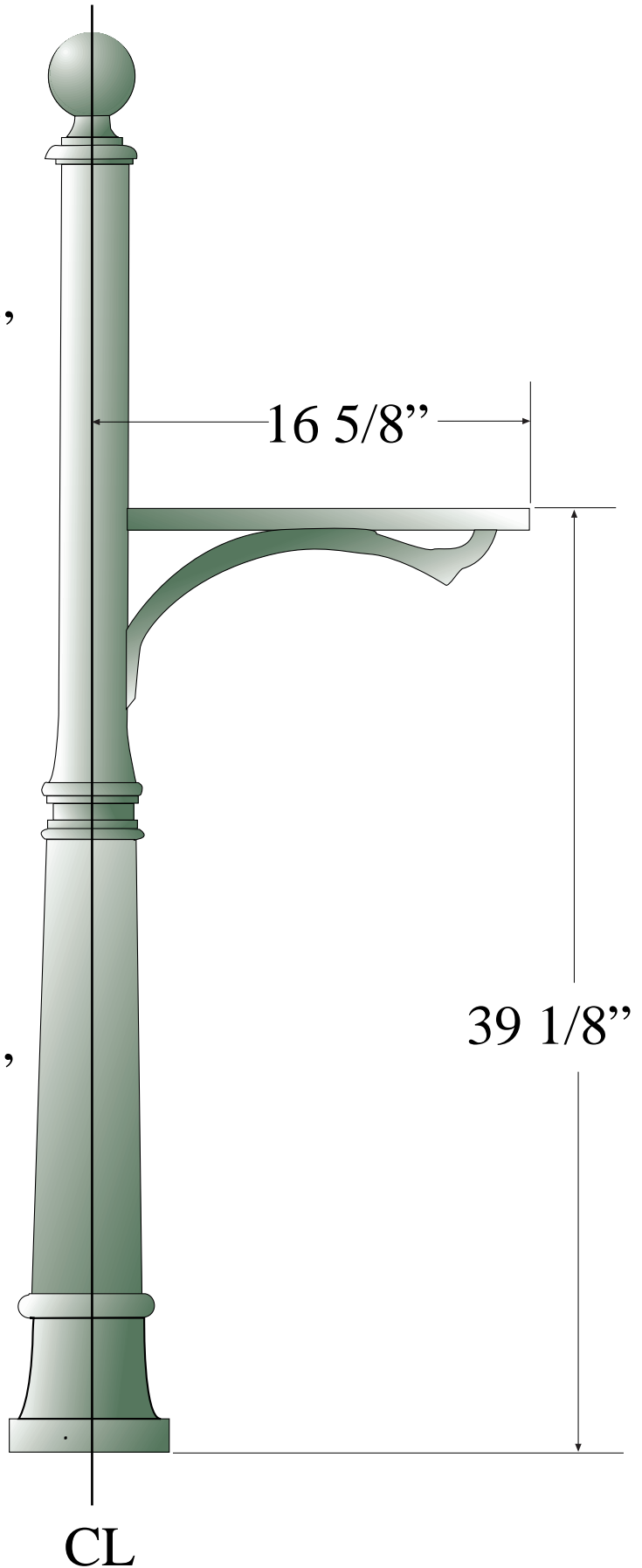
SPK 600 Mounting instructions.



Cement Footer



Direct Burial Kit



1634 Latrobe-Derry Road
Loyalhanna, PA 15661
724/537-4711 Fax 724/537-9313
www.specialliteproducts.com
customerservice@specialliteproducts.com