

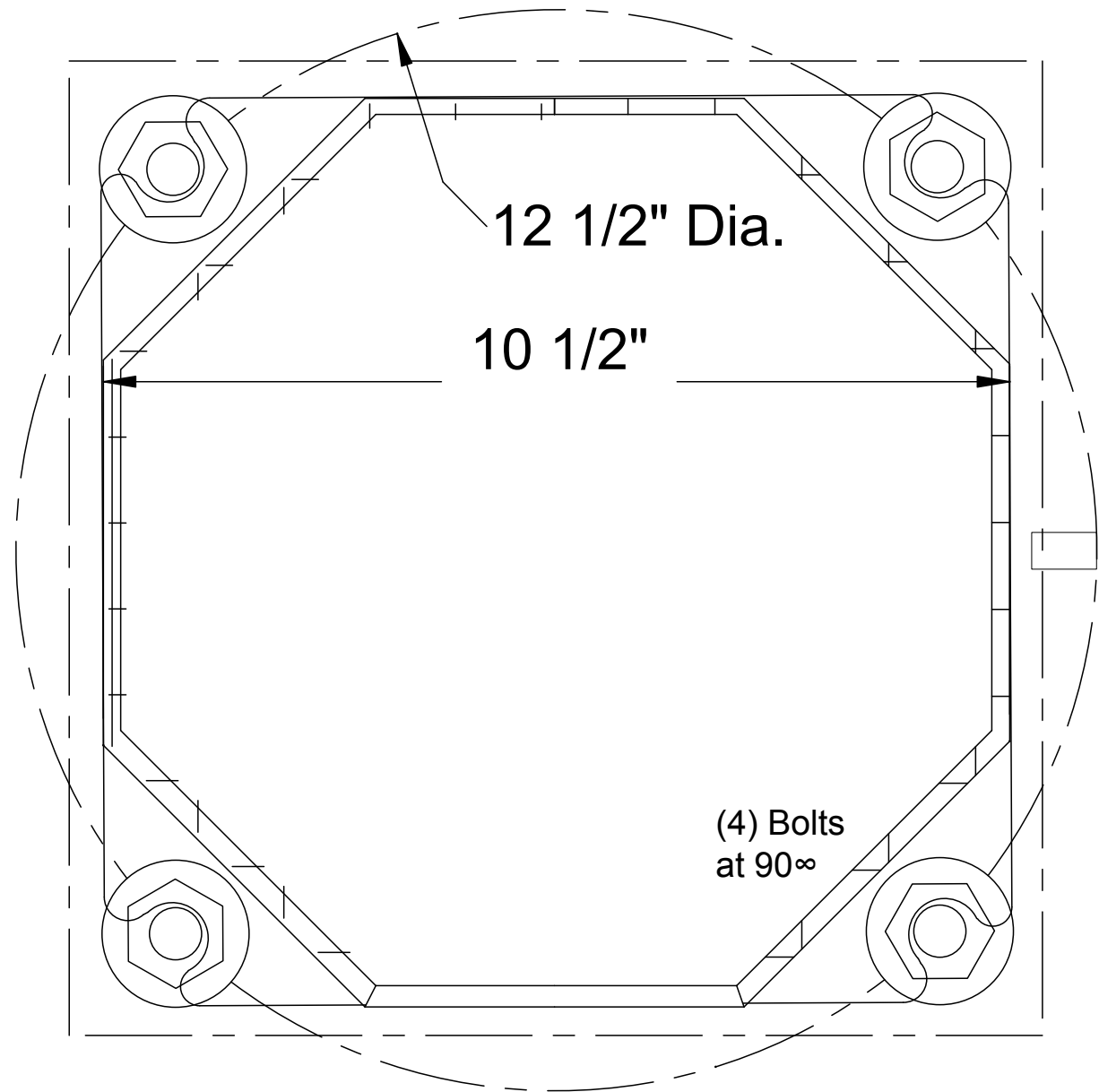


# Anchor Template SMB2

(4) Galvanized  
L-Type  
Anchor Bolt  
1/2" x 18"

Anchor Bolts Extend  
2 1/2" above grade

Anchor Bolts Are  
Concealed by  
Cast Aluminum Cover



1634 Latrobe-Derry Road Loyalhanna, PA 15661  
Phone 724-537-4711 FAX 724-537-9313  
[www.specialliteproducts.com](http://www.specialliteproducts.com)  
[customer\\_service@specialliteproducts.com](mailto:customer_service@specialliteproducts.com)