

BA-6** (4" O/D Smooth Breakaway Post)

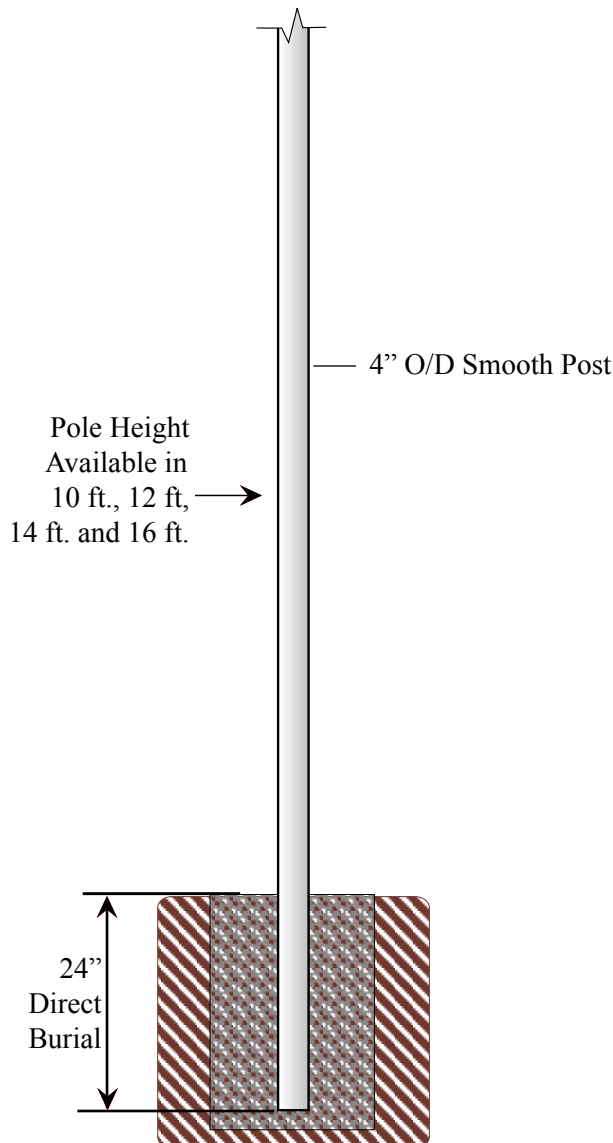
Poles available in the following heights:

Model #	Length	Model #	Length
BA-610	10 ft.	BA-614	14 ft.
BA-612	12 ft.	BA-616	16 ft.

How to Order: (example)
 6**-BLK
 Post - Color
 (** indicates pole height)

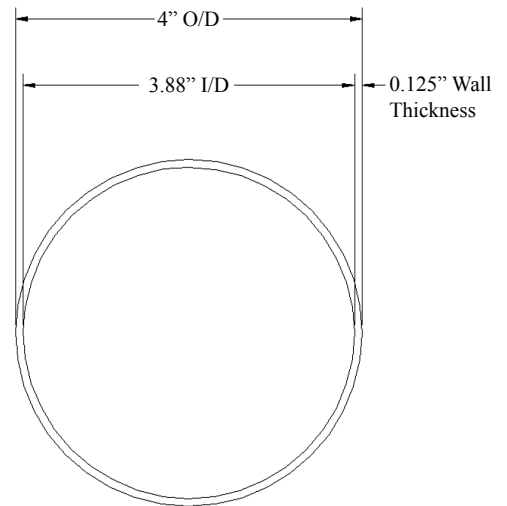
U.S. Department of Transportation
 Federal Highway Administration

Breakaway Certified Post -



BA-6** Smooth Breakaway Post

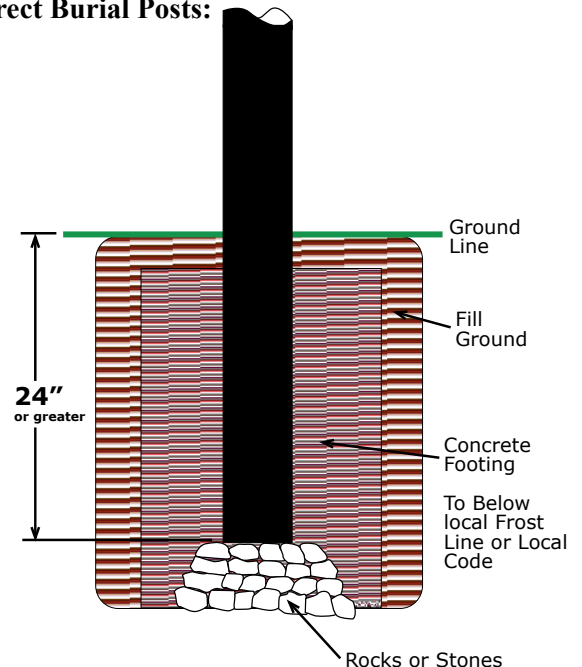
- 4" O/D Smooth Post
- Made of Extruded Aluminum
- .125 Wall Thickness
- Direct Burial



Finish

- The fixture will be finished with a premium quality thermoset polyester powdercoat for a durable finish.

Installation Instructions for Direct Burial Posts:



1634 Latrobe-Derry Road • Loyahanna, PA 15661
 Phone: (724) 537-4711 • Fax: (724) 537-9313
 www.specialliteproducts.com
 customer_service@specialliteproducts.com

****NOTE** FABRICATION TO BEGIN AFTER DRAWING HAS BEEN APPROVED, SIGNED AND FAXED OR EMAILED BACK TO SPECIAL LITE PRODUCTS LLC.**

Signature: _____ Date: _____