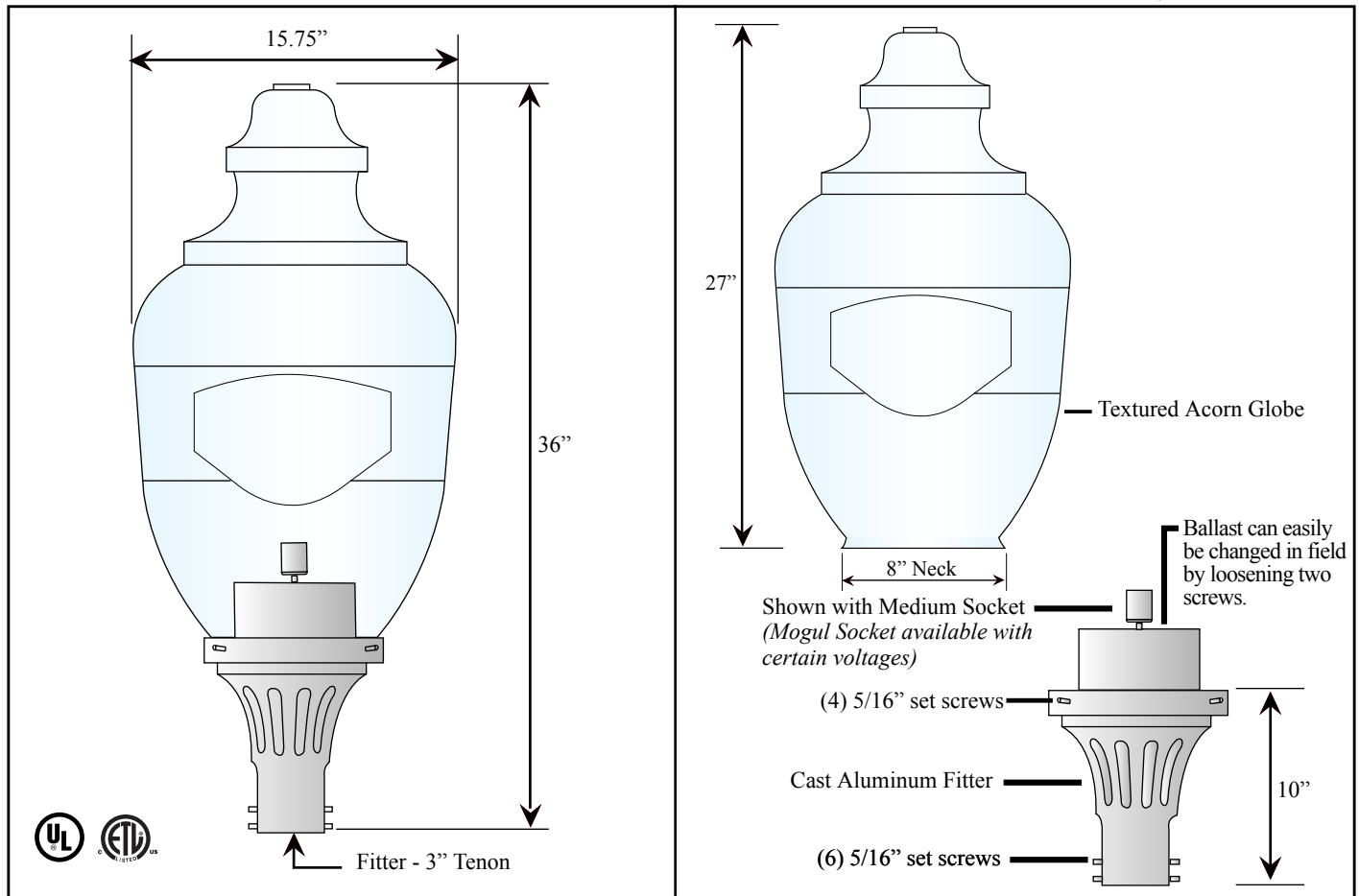


SHD1-AC1026CL Type III Distribution

How to Order: (Example)

SHD1 AC1026CL Type III 50HPS BLK
Fitter Globe Light Source Fitter Color



Materials:

The fixture base, which encloses the ballast is cast aluminum. All hardware is stainless steel. The textured globe will be injection molded Polycarbonate.

Finish:

The fixture will be finished with a premium quality thermoset polyester powdercoat for a durable finish.

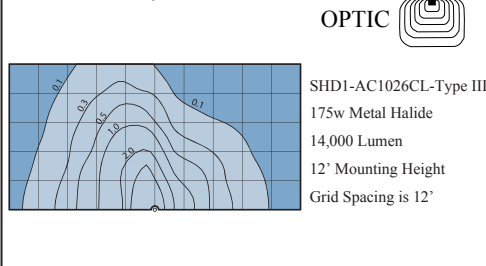
Installation:

The luminaire will mount to a 3" O/D post with 5/16" black oxide coated stainless steel set screws to ensure a solid connection.

Electrical:

- High power factor ballast (HPF), core and coil type, pre-wired and tested
- Easy ballast pod access
- 4KV pulse rated porcelain socket
- Suitable for wet location

Standard Photometry for 175MH



Conversion Factors for Alternate Height and Lamps

New Mounting Height	Conversion Factor
8 ft.	2.25
10 ft.	1.44
14 ft.	.74

Alternate Light Source	Conversion Factor
70 HPS	.74
100 HPS	.67
150 HPS	1.15
250 HPS	2.15
70 MH	.36
100 MH	.60
250 MH	1.46

High Pressure Sodium Acorn Light - 26" Acrylic Globe

MODEL #	DESCRIPTION:	VOLTAGE:	SOCKET
SHD1-AC1026CL-Type III-INCAN	INCANDESCENT - MAX 250 WATT	120	MEDIUM
SHD1-AC1026CL-Type III-50HPS	50 WATT HIGH PRESSURE SODIUM	120-277	MEDIUM
SHD1-AC1026CL-Type III-70HPS	70 WATT HIGH PRESSURE SODIUM	120-208-240-277	MEDIUM
SHD1-AC1026CL-Type III-100HPS	100 WATT HIGH PRESSURE SODIUM	120-208-240-277	MEDIUM
SHD1-AC1026CL-Type III-150HPS	150 WATT HIGH PRESSURE SODIUM	120-208-240-277	MEDIUM
SHD1-AC1026CL-Type III-250HPS	250 WATT HIGH PRESSURE SODIUM	120-208-240-277	MOGUL

Metal Halide Acorn Light - 26" Acrylic Globe

MODEL #	DESCRIPTION:	VOLTAGE:	SOCKET
SHD1-AC1026CL-Type III-50MH	50 WATT METAL HALIDE	120-277	MEDIUM
SHD1-AC1026CL-Type III-70MH	70 WATT METAL HALIDE	120-208-240-277	MEDIUM
SHD1-AC1026CL-Type III-100MH	100 WATT METAL HALIDE	120-208-240-277	MEDIUM
SHD1-AC1026CL-Type III-150MH	150 WATT METAL HALIDE	120-208-240-277	MEDIUM
SHD1-AC1026CL-Type III-250MH	250 WATT METAL HALIDE	120-208-240-277	MOGUL

SPECIAL LITE
PRODUCTS COMPANY, INC.

1634 Latrobe-Derry Road • Loyalhanna, PA 15661 • Phone: (724) 537-4711 • Fax: (724) 537-9313

www.specialliteproducts.com • customer_service@specialliteproducts.com