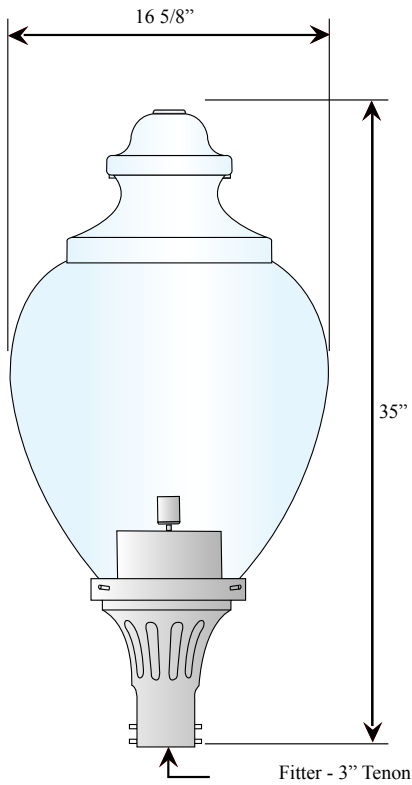


# SHD1-PC1026CL

Drawing Number: 10741



## Materials:

The fixture base, which encloses the ballast is cast aluminum. All hardware is stainless steel. The textured globe will be injection molded Polycarbonate.

## Finish:

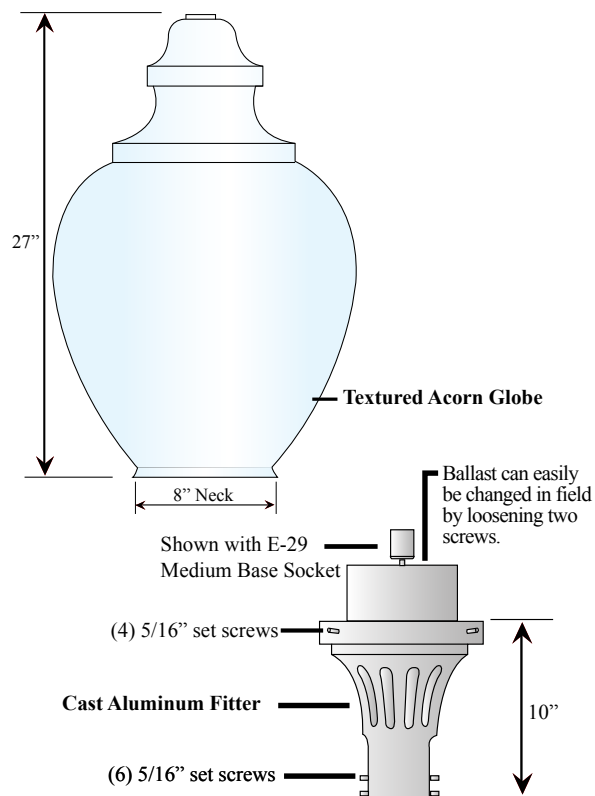
The fixture will be finished with a premium quality thermoset polyester powdercoat for a durable finish.

## Installation:

The luminaire will mount to a 3" O/D post with 5/16" black oxide coated stainless steel set screws to ensure a solid connection.

## Electrical:

- High power factor ballast (HPF), core and coil type, pre-wired and tested
- Easy ballast pod access
- 4KV pulse rated porcelain socket
- Suitable for wet location



1634 Latrobe-Derry Road • Loyahanna, PA 15661  
Phone: (724) 537-4711 • Fax: (724) 537-9313  
www.specialliteproducts.com  
customer\_service@specialliteproducts.com

**\*\*NOTE\*\* FABRICATION TO BEGIN AFTER DRAWING HAS BEEN APPROVED, SIGNED AND FAXED OR EMAILED BACK TO SPECIAL LITE PRODUCTS LLC.**

Signature: \_\_\_\_\_ Date: \_\_\_\_\_