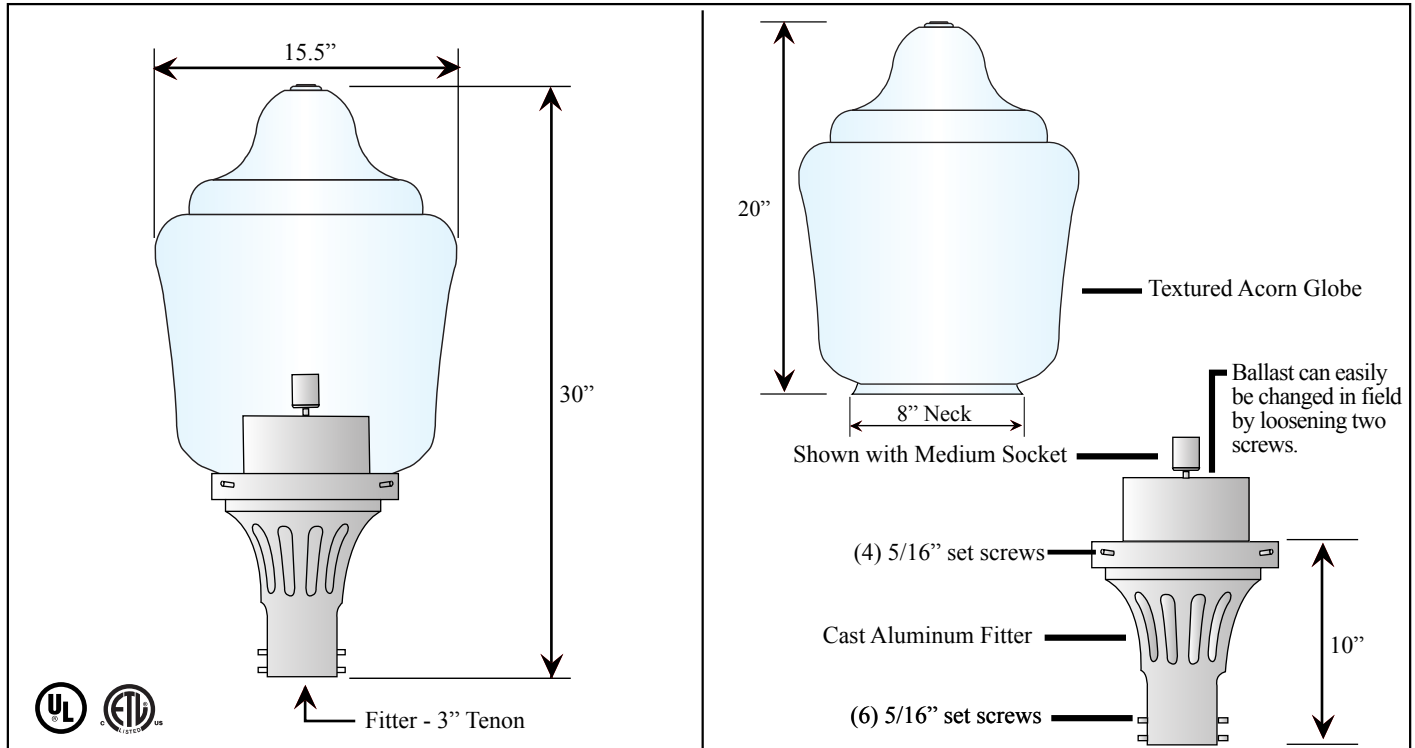


How to Order: (Example)

SHD1 PC2020CL BLK
Fitter Globe Fitter Color

SHD1-PC2020CL-INCAN



Materials:

The fixture base, which encloses the ballast is cast aluminum. All hardware is stainless steel. The textured globe will be injection molded Polycarbonate.

Finish:

The fixture will be finished with a premium quality thermoset polyester powdercoat for a durable finish.

Installation:

The luminaire will mount to a 3" O/D post with 5/16" black oxide coated stainless steel set screws to ensure a solid connection.

Electrical:

- High power factor ballast (HPF), core and coil type, pre-wired and tested
- Easy ballast pod access
- 4KV pulse rated porcelain socket
- Suitable for wet location



1634 Latrobe-Derry Road
Loyalhanna, PA 15661
Phone: (724) 537-4711
Fax: (724) 537-9313

www.specialliteproducts.com
customer_service@specialliteproducts.com

DRAWING NUMBER: 22205-1C

CUSTOMER: N/A

PROJECT: N/A

DRAWING DATE: 03/13/2019

DRAWING DESCRIPTION:

SHD1-PC2020CL-INCAN

Special Lite Products is not responsible for checking local municipal codes. Please verify specifications with your municipality before placing an order.

This document contains confidential and proprietary information that is the property of Special Lite Products. It may not be shared, copied or used in whole or in part with third parties without the expressed written consent of Special Lite Products.

FABRICATION TO BEGIN AFTER DRAWING HAS BEEN APPROVED, SIGNED THEN FAXED OR EMAILED TO SPECIAL LITE PRODUCTS.

Signature: _____ Date: _____