

LED LIGHTING

COMMERCIAL & RESIDENTIAL LED LIGHTING SOLUTIONS



THE COMPETITIVE EDGE:

- Industrial grade LEDs & Parts ensures over 50,000 hours lifespan
- Highest Lumens per Watt of any competing technology
- No Mercury - No Health Risks to worry about
- Lowest heat output



OUR LED LIGHTING BENEFITS:

- Fast Return on Investment (ROI)
 - Great Energy Savings
- 120 & 277 VAC Operation
- Fit Existing Power Systems
- Built-in Surge Suppressors & Protection
 - No Recycling Costs
- Does Not Attract Bugs
 - Self Ballasted
 - Simple Installation



**SPECIAL
LITE** PRODUCTS LLC

1-800-365-0511

www.specialliteproducts.com

1634 Latrobe-Derry Rd.
Loyalhanna, PA 15661

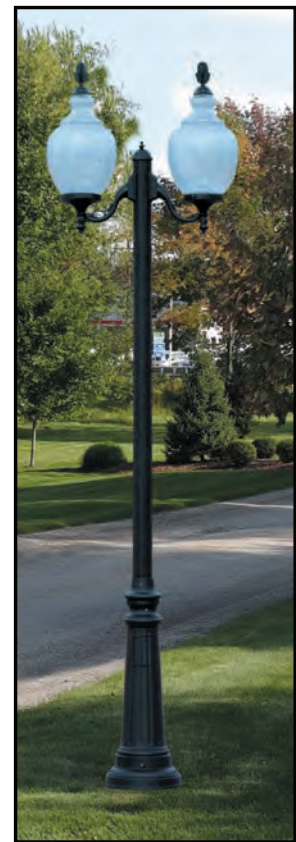
customer_service@specialliteproducts.com
www.specialliteproducts.com

SMART LED LIGHTING

Cities all over the world are converting streetlights to low-energy Light Emitting Diode (LED) fixtures, and for good reason. LEDs offer the highest energy savings of any light source available.

In addition LEDs emit directional light, which means we have more control over what is illuminated (streets and sidewalks) and what is not (the night sky). See next page for Dark Sky Reflector Options.

Our LED bulbs are able to be used with commercial acorn and sphere globes as well as many residential cast aluminum light fixtures. Bulbs can also be used to retrofit existing HID ballast light fixtures. See back page for more details.



Compact Bulb
2 3/4" Dia. x 5" H

Model #:
B-127-E26 (15w Bulb)

Applicable for use with:
Residential Light Fixtures



Small Bulb
3 1/2" Dia. x 6 1/4" H

Model #:
B-130-E26 (20w Bulb)
B-135-E26 (30w Bulb)
B-140-E26 (40w Bulb)



Medium Bulb
3 1/2" Dia. x 8 5/8" H

Model #:
B-145-E26 (50w Bulb)
B-153-E26 (65w Bulb)



Mogul to Medium Base Adapter

Model #:
MOG-ADPT
Accessory used to make medium base (E26) LED bulbs compatible for mogul base (E39) sockets.

LED BULB SPECIFICATIONS:

Model #	Wattage	Voltage	Size	Lamp Base	Lumens	Color Temp	Equivalent
B-127-E26	15	120-277	2 3/4" Dia. x 5" H	MED. E26	1,600 lm	5500K	100w INCAN.
B-130-E26	20	120-277	3 1/2" Dia. x 6 1/4" H	MED. E26	1,800 lm	5500K	70w MH / HPS
B-135-E26	30	120-277	3 1/2" Dia. x 6 1/4" H	MED. E26	2,700 lm	5500K	100w MH / HPS
B-140-E26	40	120-277	3 1/2" Dia. x 6 1/4" H	MED. E26	3,800 lm	5500K	150-175w MH / HPS
B-145-E26	50	120-277	3 1/2" Dia. x 8 5/8" H	MED. E26	4,800 lm	5500K	200w MH / HPS
B-153-E26	65	120-277	3 1/2" Dia. x 8 5/8" H	MED. E26	7,000 lm	5500K	250w MH / HPS
MOG-ADPT	Mogul to Medium Base Adapter (E26 to E39)						

Custom color temperatures available upon request



1-800-365-0511 • www.specialliteproducts.com

LED Energy Cost Savings & Return on Investment (ROI)

40 Watt LED Replacement Bulb for 175W Metal Halide & High Pressure Sodium Bulbs

METAL HALIDE 175 WATT BULB:

- Power Consumption: 210 Watt (Approx.)

Note: Above results are estimated. Total power larger than lamp ratings due to ballast losses.

VS.

LED 40 WATT BULB:

- Power Consumption: 41 Watt Max

Note: Actual measurements including self-ballast losses.

Energy Savings = 169w/hr (210w of MH - 41w of LED Bulb)

Cost Savings per Single Lamp:

- Daily Energy Savings: 4.05KW (24 x 169/1,000 @ 24hrs/day)
- Yearly Energy Savings: 1,478KW (4.05 x 365 days per year)
- **Yearly Cost Savings: \$236.00 (1,478 x \$0.16/KW)**

Note: Calculated at 16 cents per KW



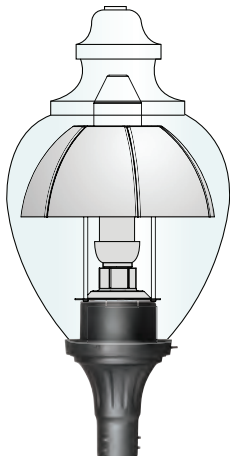
Return on Investment (ROI): Approximately 2 Years, operating at 12 hours per day.

Dark Sky Reflector

Make your Acorn Globe Light Fixture dark sky compliant by adding our DARK SKY REFLECTOR.

This product meets new IES criteria for Uplight minimization. The amount of "Cut Off" you require can be achieved through the proper positioning of this component. With three standard mounting heights and unlimited possibilities, you can achieve maximum usable light while still allowing only a minimal amount of uplight. Use with most traditional streetlamps, globes & acorns (for 8" neck size).

- High Downlight Efficiency
- Low Uplight Levels
- Ideal for Retrofits
- Easy to Install, Self Collapsing Design
- Easy Access for Lamp Replacement
- Made of High Heat Resin
- Self Positioning & Leveling
- Adjustable Light Output Levels

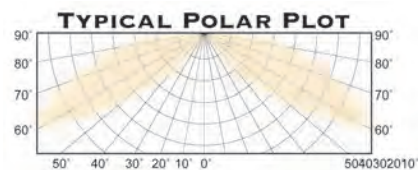
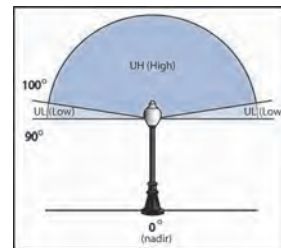


Item #:
DSR-360-MED

(fits over medium base socket)

Item #:
DSR-360-MOG

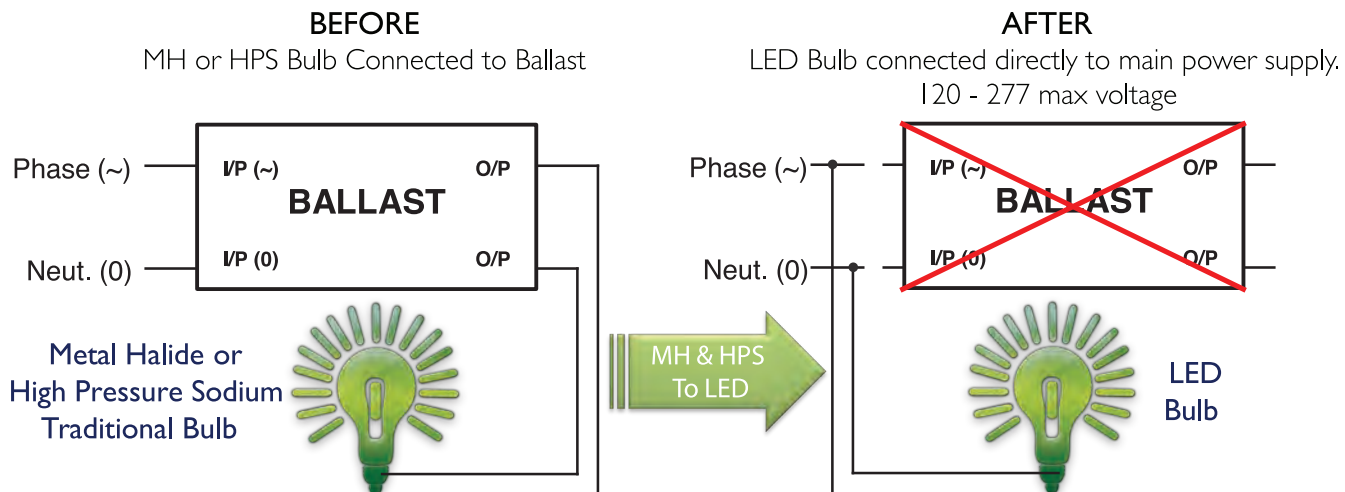
(fits over mogul base socket)



Retrofit Existing Fixtures with LED Bulbs

If you have existing H.I.D. light fixtures and are looking to upgrade to cost-efficient LED Bulbs look no further than Special Lite Products LLC.

Instructions - Ballast Removal & Wiring of LED Bulb



Instructions – follow the steps below:

- 1) Disconnect / Remove Existing Ballast
- 2) Connect Socket to Main Power Supply (Ph. & Neut.)
- 3) Screw LED Bulb into Socket
- 4) Maximum Voltage: 120 - 277 Max Volts

WARNING - Turn Power Off during Bulb &/or Ballast Replacement and Wiring!



Visit our website www.specialliteproducts.com to view all our commercial lighting products as well as our large selection of decorative Cast Aluminum outdoor lighting, mailboxes, address plaques, traffic signage poles, wayfinding signs, bollards and more.

Special Lite Products LLC.

1634 Latrobe-Derry Road
Loyalhanna, PA 15661

Toll Free: 1-800-365-0511

Phone: 724-537-4711

Fax: 724-537-9313

www.specialliteproducts.com
customer_service@specialliteproducts.com

DISTRIBUTED BY: