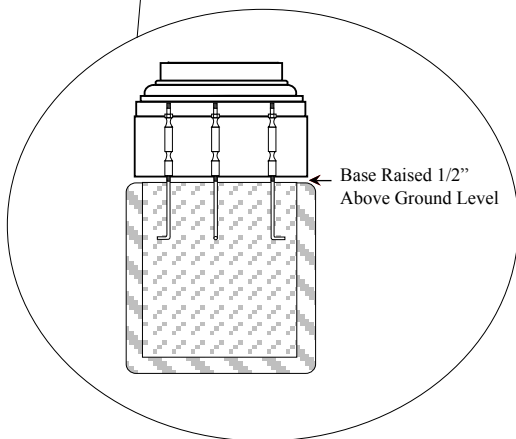
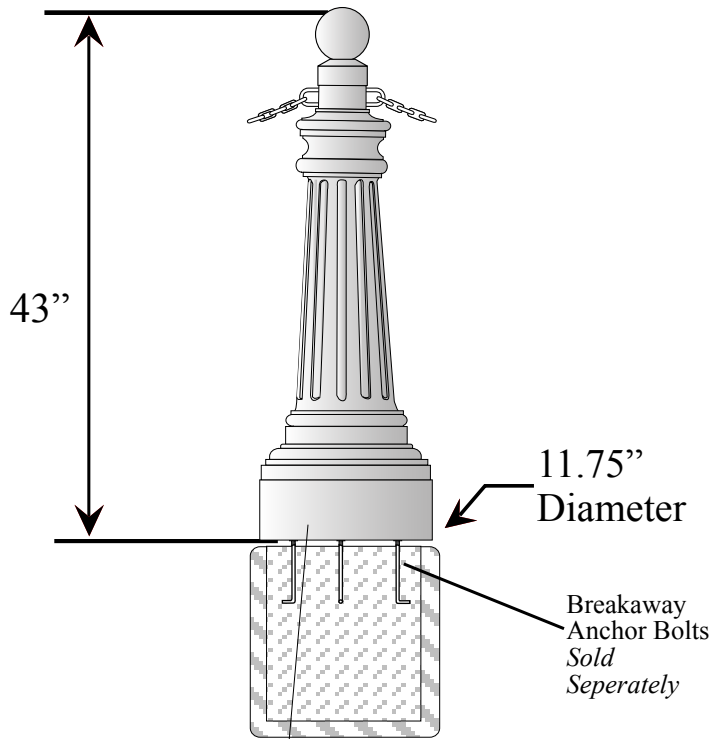


SMB1 / TSB2 / Chain Hooks / Breakaway Anchor Bolts

(Surface Mount Breakaway Bollard)



Cut Away View

SMB1 Surface Mount Base

- Decorative base
- Made of Cast Aluminum



TSB2 - Cannon Ball Post Topper

- Decorative Post Topper
- Made of Cast Aluminum.
- 3 3/4" wide x 6" tall

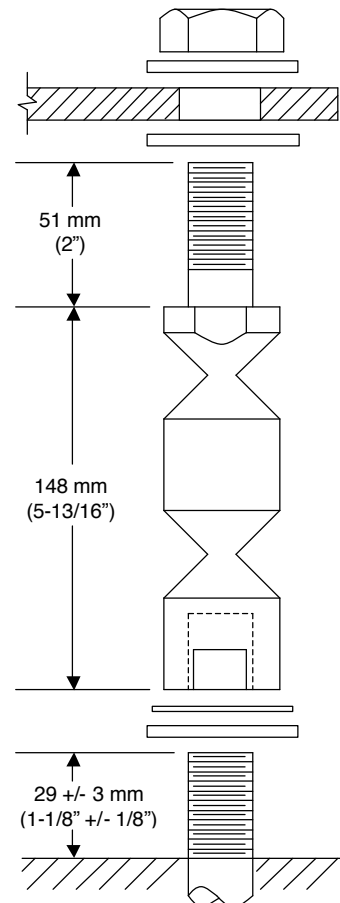


Finish

- The fixture will be finished with a premium quality thermoset polyester powdercoat for a durable finish.

Breakaway Anchor Bolts

- NCHRP 350 Compliant
- Omni-Directional Breakaway Support
- Set of Three
- 5/8" - 11 J-Bolt
- Pole Safe Coupling



1634 Latrobe-Derry Road • Loyahanna, PA 15661
 Phone: (724) 537-4711 • Fax: (724) 537-9313
 www.specialliteproducts.com
 customer_service@specialliteproducts.com

****NOTE** FABRICATION TO BEGIN AFTER DRAWING HAS BEEN APPROVED, SIGNED AND FAXED OR EMAILED BACK TO SPECIAL LITE PRODUCTS CO. INC.**

Signature: _____ Date: _____