

Assembly Instructions for the 591 Surface Mount Base Kit

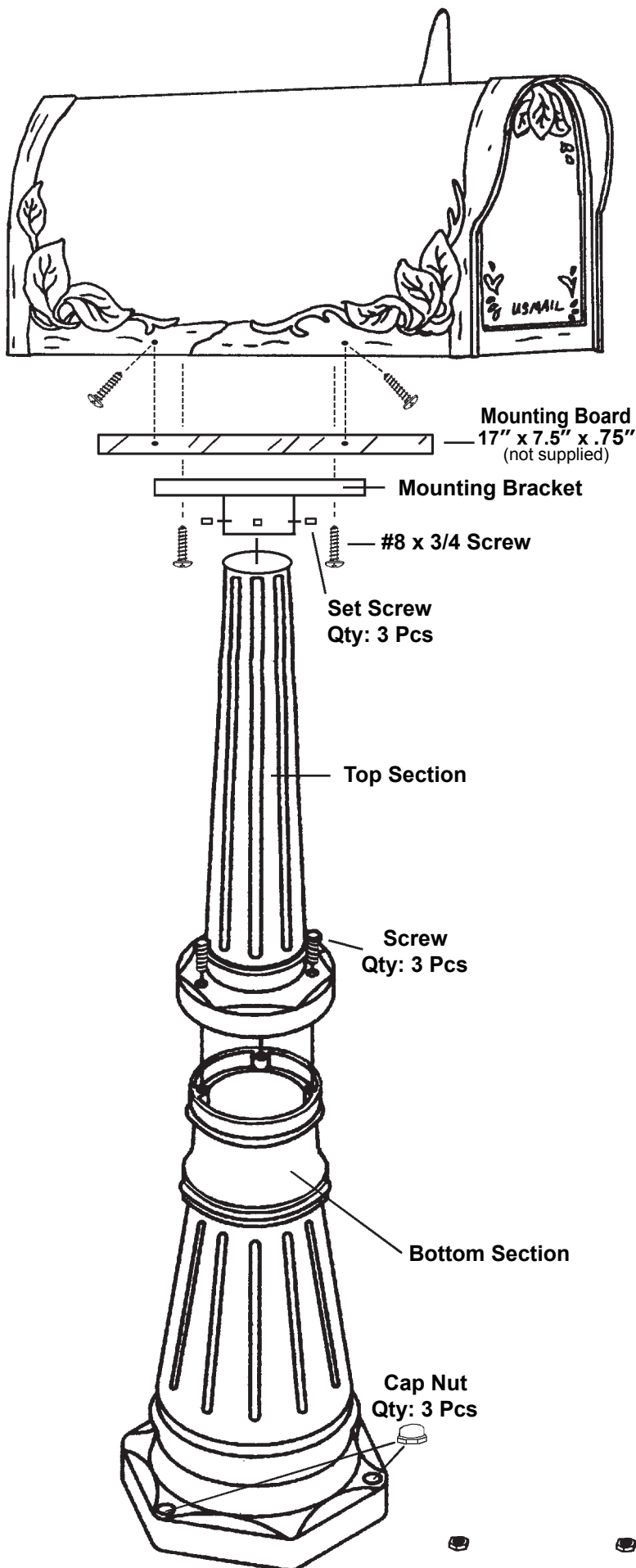


Fig.1

Fig.2

1. Fix the mounting bracket to the ground (Fig.3), inserting the three threaded ties into the concrete; keep the bend towards the bottom and the threaded part, in which the post will be fixed, towards the top, making it rise above the frame 1^{1/2}".

See Fig. 2.

Please be sure that the frame is well anchored.

2. Attach mounting bracket to post top and secure with 3 set screws (provided). See Fig.1.

3. Place mounting board (not supplied) to mailbox bottom. Secure with screws provided with mailbox making sure board does not interfere with door operation.

4. Place mailbox on mounting bracket at desired location. Secure with 4 #8 x 3/4" mounting screws through mounting bracket into mounting board.

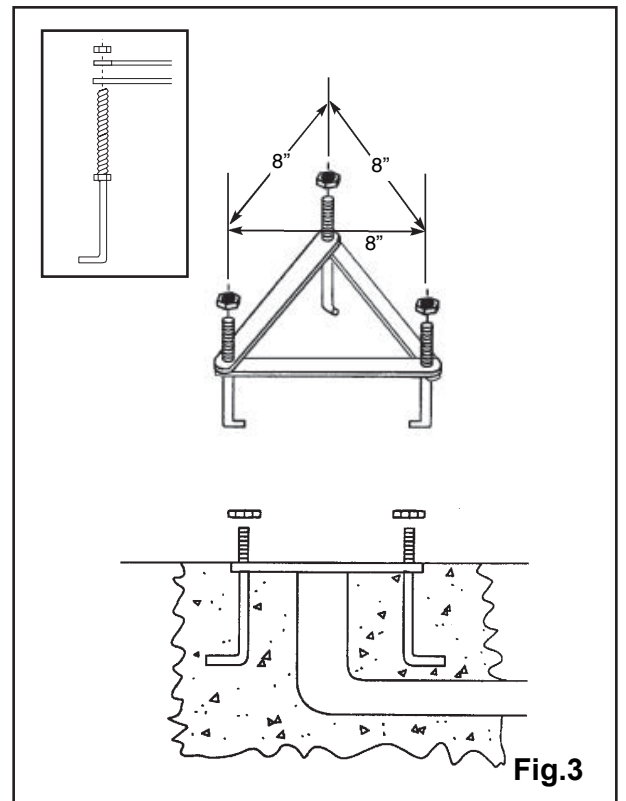


Fig.3