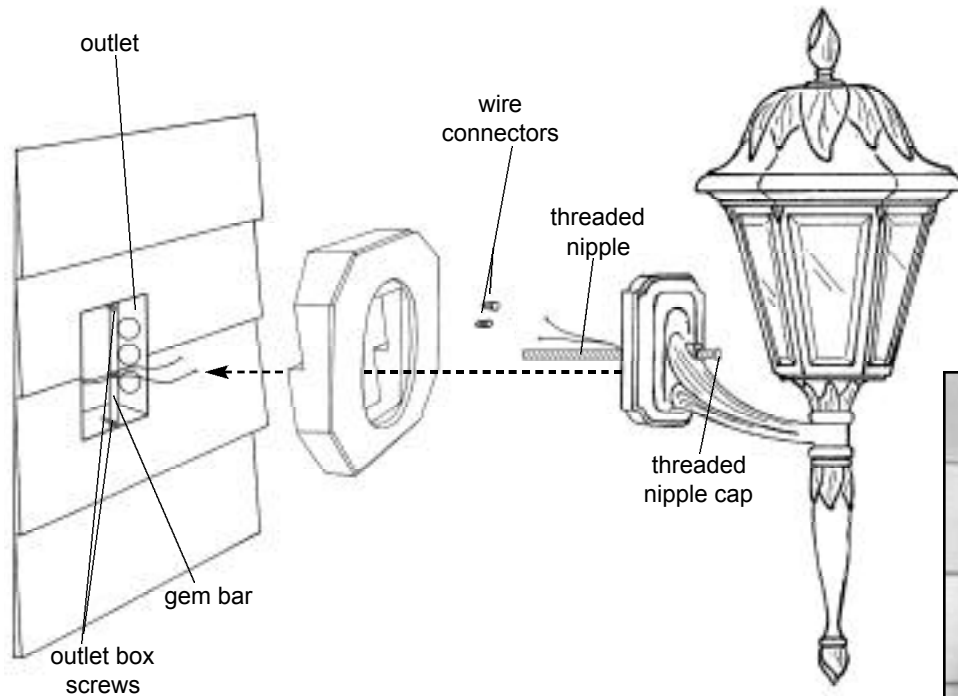


LITE BLOCKS INSTALLATION INSTRUCTIONS

WARNING: Be sure all electrical current has been shut off before replacing any light fixture.

STEP 1:

Place light block over the outlet box. Push snug against siding and secure with mounting screws.



STEP 2:

Install the light fixture or electrical device per the manufacturer's installation instructions.