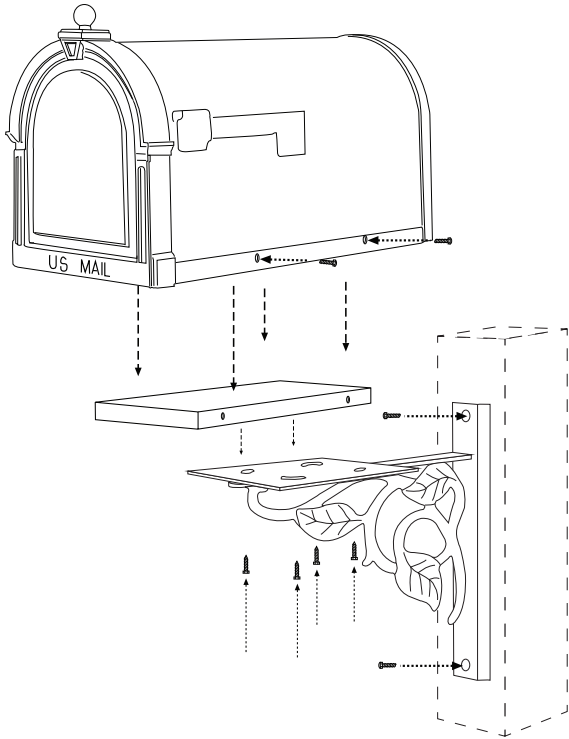


Floral Bracket MB-451

This decorative bracket gives elegance and support to your mailbox. It is crafted of durable cast and extruded aluminum.

12" deep
12" high
6" wide



INSTALLING YOUR MAILBOX WITH THE FLORAL BRACKET:

Not Included: 7 $\frac{1}{2}$ " x 16" $\frac{3}{4}$ " mounting board

1. Secure post in ground approximately 16" below surface level. U.S. Postal Service requires approximately 40" from ground to mailbox bottom.
2. Install bracket per illustration at left.
3. Secure mounting board to post and bracket as per illustration.
4. Place mailbox on post assembly. Position such that mounting board does not interfere with door operation.
5. Secure mailbox to board using screws provided with mailbox.