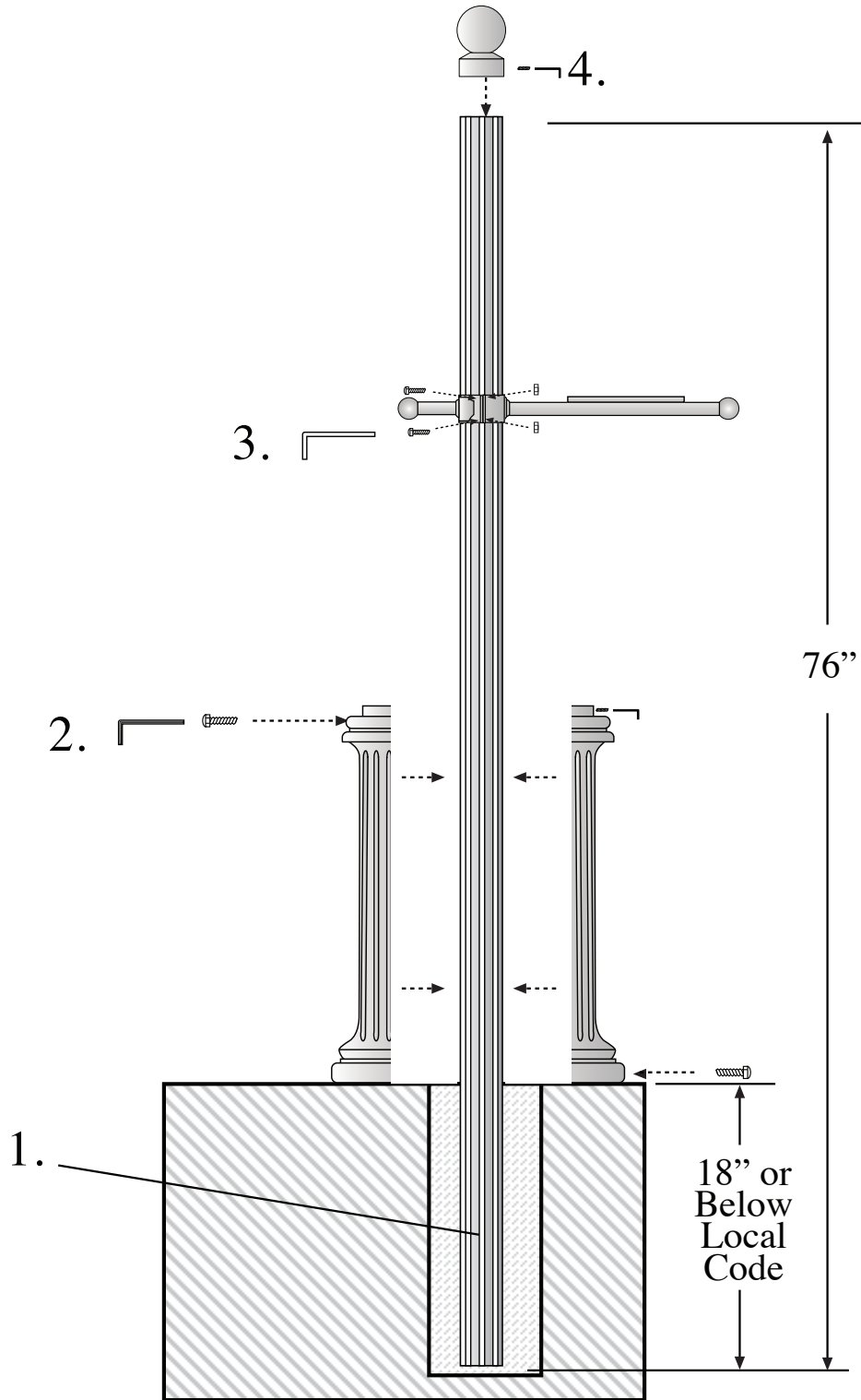


# SPK-592 Installation Instructions

Drawing Number: 11169



1634 Latrobe-Derry Road • Loyalhanna, PA 15661  
Phone: (724) 537-4711 • Fax: (724) 537-9313  
www.specialliteproducts.com  
customer\_service@specialliteproducts.com