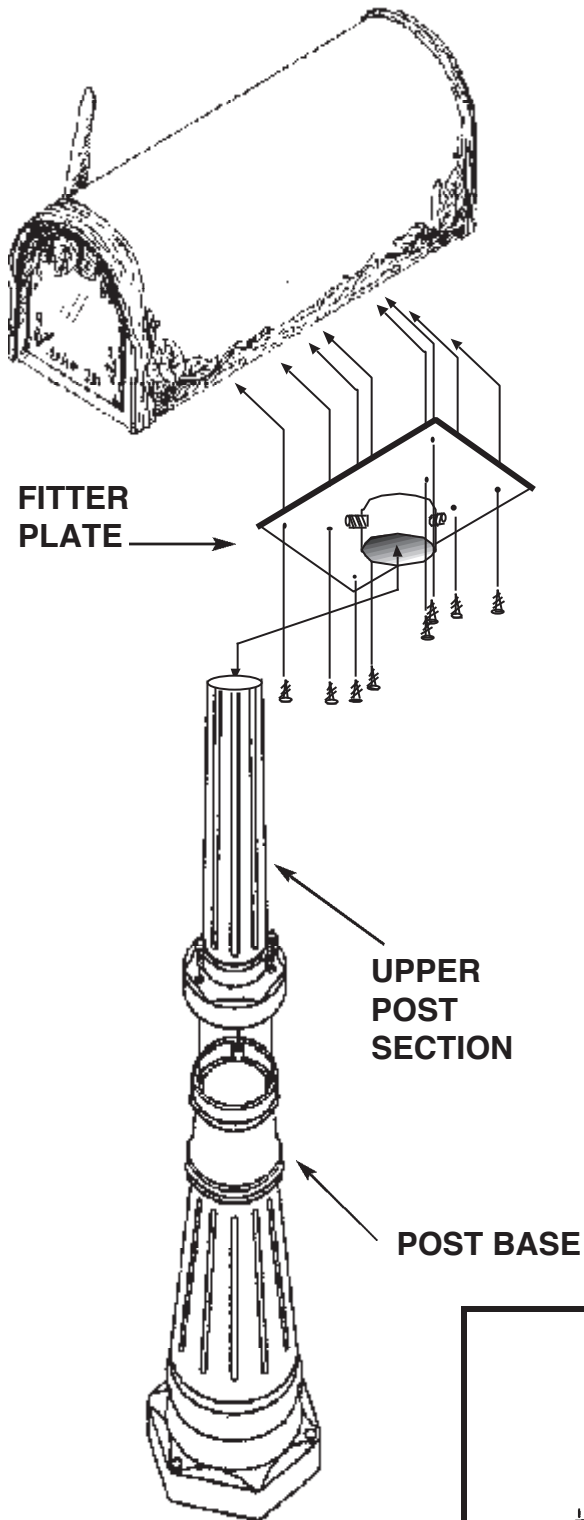


Installation Instructions For Surface Mount Mail box



1. Fix the mounting Bracket to the ground (Fig. 1), inserting the three threaded ties into the concrete; keep the bend towards the bottom and the threaded part, onto which the post will be fixed, toward the top, making it rise from the frame 1/4" to assure enough thread is exposed when the base is installed to allow cap nuts to be tightened. Please be sure that the frame is well anchored.
2. Attach base using capnuts, making sure it is secure.
3. Install upper post section and secure with the three bolts included.
4. Mount fitter plate to upper post section and secure with the three set screws provided.
5. Place mailbox according to manufacturers instructions.

