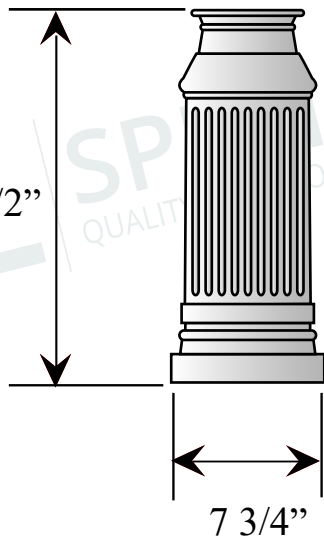


**WRB16 - Decorative Wraparound Base**

- Decorative base that fits over a 4" O/D round post
- Two Piece Base
- Made of Rust Free Cast Aluminum

**Finish**

- The fixture will be finished with a premium quality thermoset polyester powdercoat for a durable finish.



1634 Latrobe-Derry Road  
Loyalhanna, PA 15661  
Phone: (724) 537-4711  
Fax: (724) 537-9313  
www.specialliteproducts.com  
customer\_service@specialliteproducts.com

**DRAWING NUMBER:** 21843-1C

**CUSTOMER:** N/A

**PROJECT:** N/A

**DRAWING DATE:** 11/14/2018

**DRAWING DESCRIPTION:**

WRB16 Base

Special Lite Products is not responsible for checking local municipal codes. Please verify specifications with your municipality before placing an order.

This document contains confidential and proprietary information that is the property of Special Lite Products. It may not be shared, copied or used in whole or in part with third parties without the expressed written consent of Special Lite Products.

**FABRICATION TO BEGIN AFTER DRAWING HAS BEEN APPROVED, SIGNED THEN FAXED OR EMAILED TO SPECIAL LITE PRODUCTS.**

Signature: \_\_\_\_\_ Date: \_\_\_\_\_