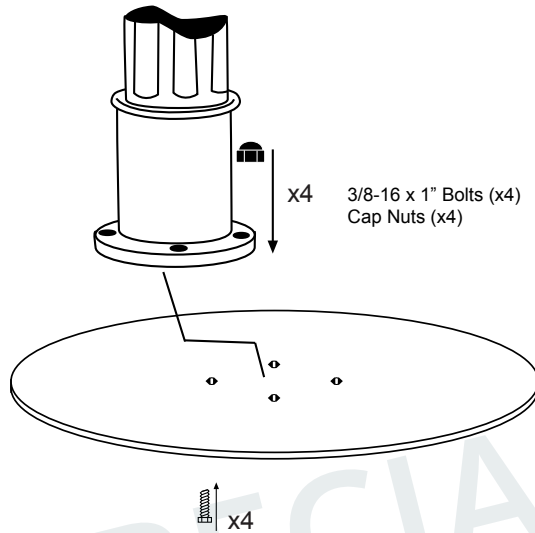


SOS6 - SPECIAL ORDER STATION 6
Display Assembly Instructions



Step 1:

- Assemble and position mailbox post and attached to the display base with bolts provided. Cover exposed bolt with cap nut.

Step 2:

- Attach Flip Book Base to the top of curbside mailbox



1634 Latrobe-Derry Road
Loyalhanna, PA 15661
Phone: (724) 537-4711
Fax: (724) 537-9313
www.specialliteproducts.com
customer_service@specialliteproducts.com

DRAWING NUMBER: 22122-11

CUSTOMER: N/A

PROJECT: N/A

DRAWING DATE: 02/18/2019

DRAWING DESCRIPTION:

SOS 6 - SPECIAL ORDER STATION 6

Special Lite Products is not responsible for checking local municipal codes. Please verify specifications with your municipality before placing an order.

This document contains confidential and proprietary information that is the property of Special Lite Products. It may not be shared, copied or used in whole or in part with third parties without the expressed written consent of Special Lite Products.

FABRICATION TO BEGIN AFTER DRAWING HAS BEEN APPROVED, SIGNED THEN FAXED OR EMAILED TO SPECIAL LITE PRODUCTS.

Signature: _____ Date: _____