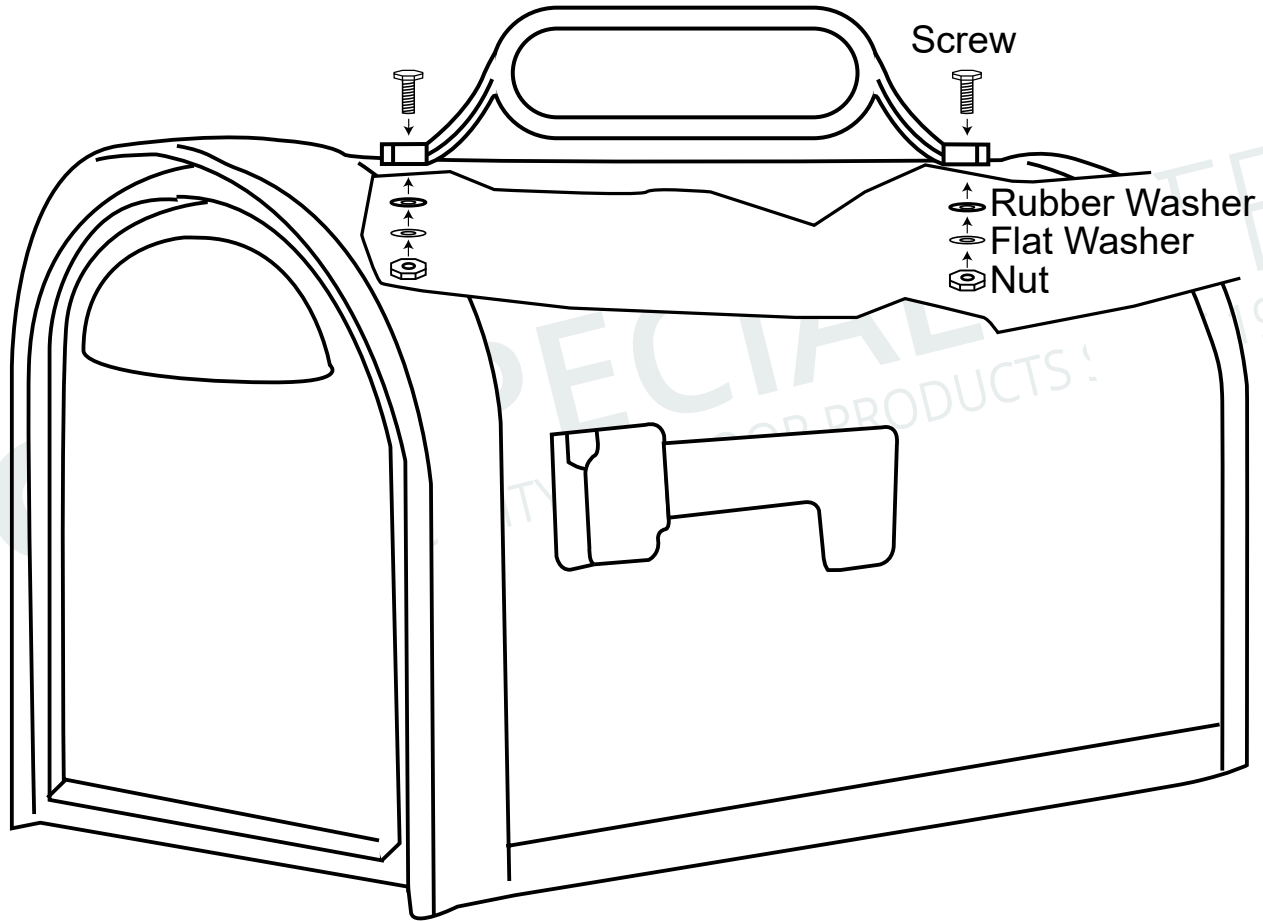


Place plaque at desired location on mailbox. Using a pencil, make mark through mounting holes onto the mailbox. Drill two holes using 1/4" dia. drill bit (not supplied). Open mailbox door and secure plaque with screws and nuts supplied as shown in the diagram below.



4				
3				
2				
1	Released for quotation or production	GL	TW	03/11/20
REV	DESCRIPTION OF CHANGE	DIRECTED BY	CHANGED BY	DATE



1634 Latrobe-Derry Road
 Loyahanna, PA 15661
 Phone: (724) 537-4711
 Fax: (724) 537-9313
 www.specialliteproducts.com
 customer_service@specialliteproducts.com

DRAWING NUMBER: 23827-11

CUSTOMER: N/A

PROJECT: N/A

DRAWING DATE: 03/11/2020

DRAWING DESCRIPTION:

MP-452, MP-455 and MP-453 Mounting Instructions

Special Lite Products is not responsible for checking local municipal codes. Please verify specifications with your municipality before placing an order.

This document contains confidential and proprietary information that is the property of Special Lite Products. It may not be shared, copied or used in whole or in part with third parties without the expressed written consent of Special Lite Products.

FABRICATION TO BEGIN AFTER DRAWING HAS BEEN APPROVED, SIGNED THEN FAXED OR EMAILED TO SPECIAL LITE PRODUCTS.

Signature: _____ Date: _____