

TSB-225-DBL and TSB-625-DBL Double Street Name Sign Trims



TSB-225-DBL-624 (Clamps to a 3" O/D Pole)
TSB-625-DBL-624 (Clamps to a 4" O/D Pole)
Holds two 24" W x 6" H Signs. Sign Blades Sold Separately.



TSB-225-DBL-924 (Clamps to a 3" O/D Pole)
TSB-625-DBL-924 (Clamps to a 4" O/D Pole)
Holds two 24" W x 9" H Signs. Sign Blades Sold Separately.



TSB-225-DBL-630 (Clamps to a 3" O/D Pole)
TSB-625-DBL-630 (Clamps to a 4" O/D Pole)
Holds two 30" W x 6" H Signs. Sign Blades Sold Separately.



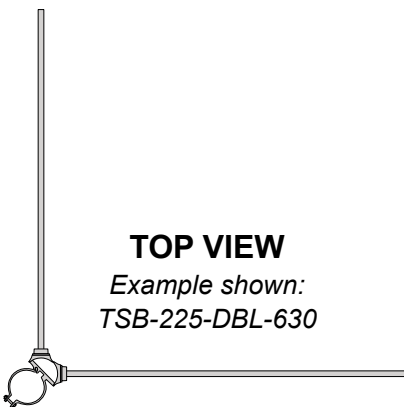
TSB-225-DBL-930 (Clamps to a 3" O/D Pole)
TSB-625-DBL-930 (Clamps to a 4" O/D Pole)
Holds two 30" W x 9" H Signs. Sign Blades Sold Separately.



TSB-225-DBL-636 (Clamps to a 3" O/D Pole)
TSB-625-DBL-636 (Clamps to a 4" O/D Pole)
Holds two 36" W x 6" H Signs. Sign Blades Sold Separately.



TSB-225-DBL-936 (Clamps to a 3" O/D Pole)
TSB-625-DBL-936 (Clamps to a 4" O/D Pole)
Holds two 36" W x 9" H Signs. Sign Blades Sold Separately.



TOP VIEW
*Example shown:
 TSB-225-DBL-630*

**MOUNTING
 BRACKET
 DETAIL**



**FRAME
 DETAIL**



1634 Latrobe-Derry Road
 Loyahanna, PA 15661
 Phone: (724) 537-4711
 Fax: (724) 537-9313
 www.specialliteproducts.com
 customer_service@specialliteproducts.com

DRAWING NUMBER: 24847-1M

CUSTOMER: N/A

PROJECT: N/A

DRAWING DATE: 08/06/2020

DRAWING DESCRIPTION:

TSB-225-DBL & TSB-625-DBL Street Name Sign Trims

Special Lite Products is not responsible for checking local municipal codes. Please verify specifications with your municipality before placing an order.

This document contains confidential and proprietary information that is the property of Special Lite Products. It may not be shared, copied or used in whole or in part with third parties without the expressed written consent of Special Lite Products.

FABRICATION TO BEGIN AFTER DRAWING HAS BEEN APPROVED, SIGNED THEN FAXED OR EMAILED TO SPECIAL LITE PRODUCTS.

Signature: _____ **Date:** _____