

CO-268

Pole Electrical Outlet

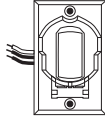
- CO-268 Pole Electrical Outlet
- Curved to fit 3" O/D pole
- 120V, 15A
- 1 3/8" hole required in pole
- Black Finish Only



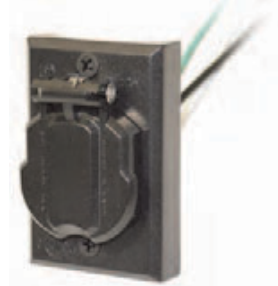
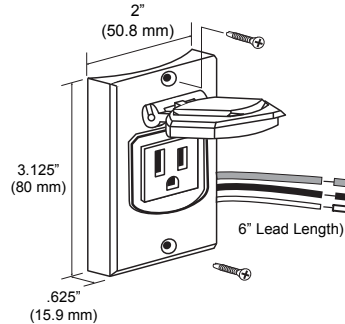
Flat head Countersunk
Self Tapping screw 6-32



Gasket



3 Wire
Convenience
Outlet



Assembly Instructions for Installing Weatherproof Electrical Outdoor Convenience Outlet

**Important: Do Not Take The Convenience Outlet Apart.
There is NO Need to. It is to be installed as it is shipped.**

**Before Disposing of Carton.
Check Thoroughly to Be Sure You have All Parts.**

INSTALLATION INSTRUCTIONS:

1. Use only on nominal 3" dia. post.
2. Turn power off at fuse or circuit breaker.
3. Connect black outlet wire to black power supply wire and black fixture wire. Connect white outlet wire to white power supply wire and white fixture wire. Connect green outlet wire to power supply ground and fixture ground. Make above connections using wire connectors suitable for this application. Wire connectors are not provided.
4. Attach convenience outlet to post. Insert receptacle into pre-drilled nominal 1 3/8" dia. hole. Thread the provided (2) screws into pre-drilled and tapped holes (above and below 1 3/8" dia. hole) and tighten. Make sure rubber gasket is between outlet and post. Check that snap cover hinge is on top.
5. Not intended for ground installation. Do not install on a post or pole that results in a vertical rise of 25 feet or greater.



1634 Latrobe-Derry Road
Loyalhanna, PA 15661
Phone: (724) 537-4711
Fax: (724) 537-9313
www.specialliteproducts.com
customer_service@specialliteproducts.com

DRAWING NUMBER: 22867-1C

CUSTOMER: N/A

PROJECT: N/A

DRAWING DATE: 01/05/2021

DRAWING DESCRIPTION:

CO-268

Special Lite Products is not responsible for checking local municipal codes. Please verify specifications with your municipality before placing an order.

This document contains confidential and proprietary information that is the property of Special Lite Products. It may not be shared, copied or used in whole or in part with third parties without the expressed written consent of Special Lite Products.

**FABRICATION TO BEGIN AFTER DRAWING HAS BEEN APPROVED,
SIGNED THEN FAXED OR EMAILED TO SPECIAL LITE PRODUCTS.**

Signature: _____ Date: _____