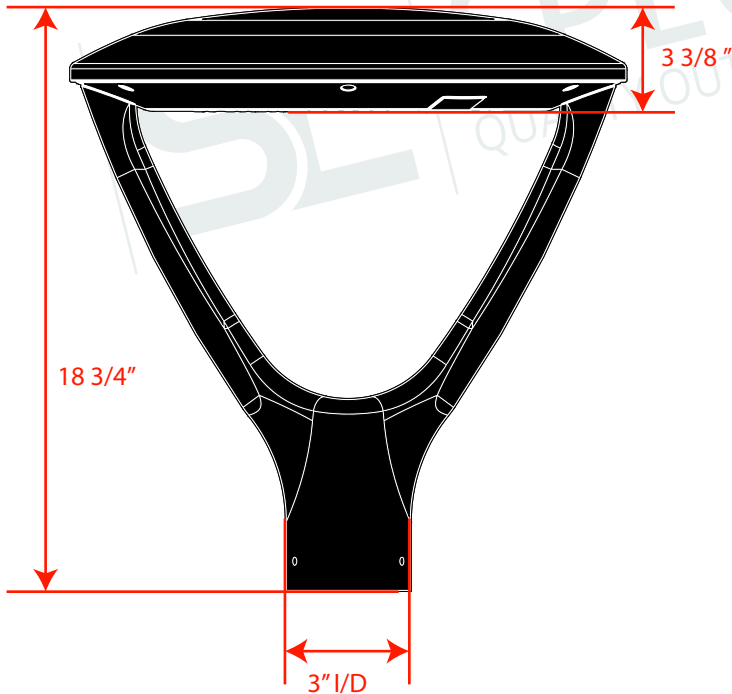
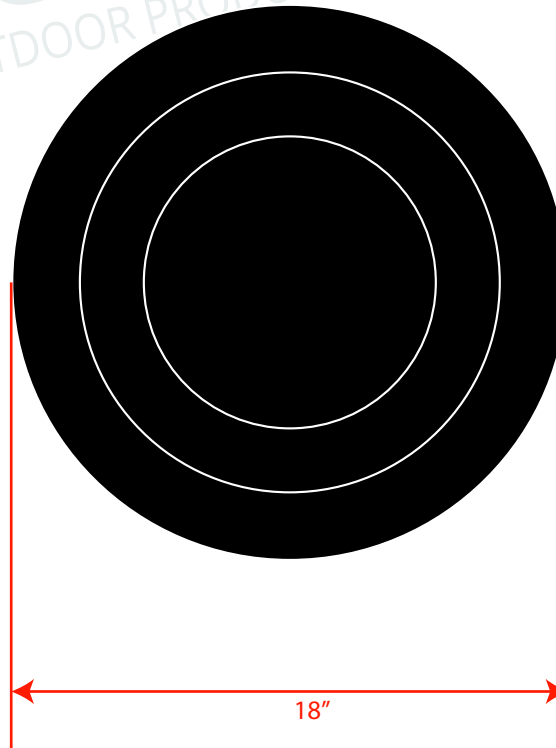


**Dual Arm LED Light Fixture
MODEL NUMBER: LD-102**

FRONT VIEW



TOP VIEW



**Dual Arm LED Light Fixture
MODEL NUMBER: LD-102**

Materials:

18" W x 18 3/4" H top mount dual arm LED Aero fixture.

Finish:

Die cast and sand cast aluminum housing. Black powder coated finish. Clear UV-Stabilized Polycarbonate Vandal-Resistant Array Lens with Integral Optics.

Installation:

This fixture mounts to a 3" O/D pole top tenon. Fits 3" O/D poles and all PSM poles. *TSB15 required if using on a 4" O/D direct burial round pole.

Electrical:

- OPTICS: Type I (standard), II, III, IV or V distribution
- WATTAGE: 37w, 65w, 100w, or 140w
- VOLTAGE: U = 120-277V or H = 347-480V
- KELVIN: 4000K (3000K and 5000K available upon request)

3				
2				
1	Released for quotation or production	GL	TSRS	8/17/22
REV	DESCRIPTION OF CHANGE	DIRECTED BY	CHANGED BY	DATE



1634 Latrobe-Derry Road
Loyalhanna, PA 15661
Phone: (724) 537-4711
Fax: (724) 537-9313
www.specialliteproducts.com
customer_service@specialliteproducts.com

DRAWING NUMBER: 31095-1M

ACCOUNT: N/A

PROJECT: LED Light Fixtures DWGs

DRAWING DATE: 08/17/2022

DRAWING DESCRIPTION:

Dual Arm LED Light Fixtures

Special Lite Products is not responsible for checking local municipal codes. Please verify specifications with your municipality before placing an order.

This document contains confidential and proprietary information that is the property of Special Lite Products. It may not be shared, copied or used in whole or in part with third parties without the expressed written consent of Special Lite Products.

FABRICATION TO BEGIN AFTER DRAWING HAS BEEN APPROVED, SIGNED THEN FAXED OR EMAILED TO SPECIAL LITE PRODUCTS.

Signature: _____ **Date:** _____