

ATTENTION

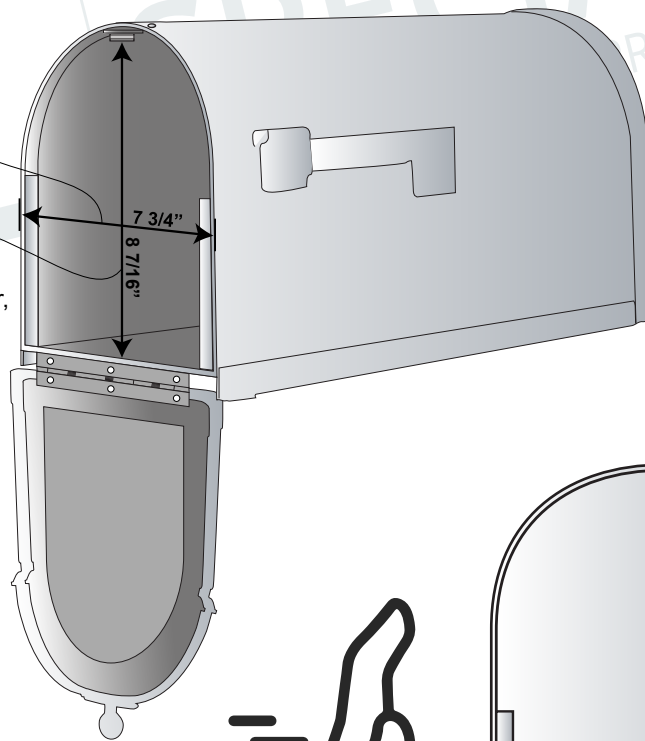
Your mailbox has been quality inspected prior to packaging.
During shipment, the product could become compressed.

Do not return product to dealer.

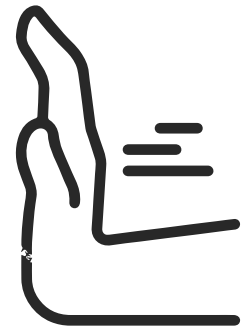
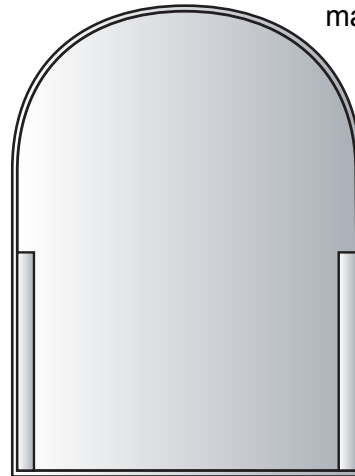
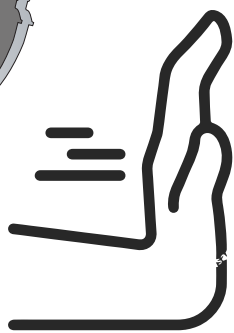
If your mailbox door does not close properly, please confirm the below measurements.

7 3/4"
Measurement from outside wall to
outside wall.

8 7/16"
Measurement from mailbox floor,
to the bottom of the magnet.



Press firmly on sides and top of
mailbox to form to above
measurements.



Contact Special Lite Products at 724-537-4711 for additional information.



1634 Latrobe-Derry Road

Loyalhanna, PA 15661

Phone: (724) 537-4711

www.specialliteproducts.com

customer_service@specialliteproducts.com